

Feature

- 125# WSP / 200# WOG
- Bronze body
- FNPT x FNPT
- Threaded ends (ASME B1.20.1-NPT)
- Inserted bonnet
- Swivel type disc
- DZR corrosion resistant trim
- MSS-SP-80



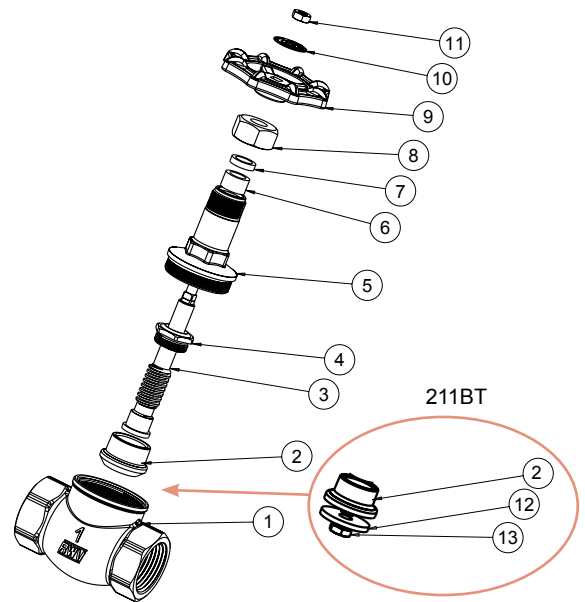
211B = Metal seat
211BT= Virgin PTFE seat

Pressure/ Temperature rating	
200 psi from 15 °F to 160 °F	125 psi max. at 366 °F

Material

	Part	Material	Specification
1	Body	Bronze	ASTM B62 C83600
2	Disc	DZR Brass	UNS C35330
3	Stem	DZR Brass	UNS C35330
4	Stem retainer	DZR Brass	UNS C35330
5	Bonnet	Bronze	ASTM B62 C83600
6	Packing ring	Graphite Sigraflex® Apx®	-
7	Ring	Brass	ASTM B124 C37700
8	Packing nut	Brass	ASTM B124 C37700
9	Handwheel	Aluminium	-
10	Disc	Aluminium	-
11	Nut	Steel / Zn plated	ASTM A36
12	Gasket*	PTFE	PTFE
13	Nut*	Brass	ASTM B124 C37700

* Only with 211BT



Dimension, Cv, Weight

	T	D		H (Close)		H (Open)		L		P		R		S		Cv	Wt. (211B)		Wt. (211BT)	
		[in]	[mm]	[in]	[mm]	[in]	[mm]	[in]	[mm]	[in]	[mm]	[in]	[mm]	[in]	[mm]		[lb]	[kg]	[lb]	[kg]
1/2"	1/2 - 14 NPT	2.36	60	3.28	83.5	3.60	91	2.32	59	0.59	15.0	0.57	14.5	1.06	27	3.73	0.75	0.34	0.75	0.34
3/4"	3/4 - 14 NPT	2.76	70	3.64	92.5	4.00	102	2.64	67	0.75	19.1	0.61	15.7	1.30	33	6.35	1.05	0.48	1.07	0.49
1"	1 - 11.5 NPT	2.76	70	4.21	107	4.70	120	3.26	83	1.00	25.4	0.75	19.0	1.57	40	11.6	1.72	0.78	1.73	0.78
1 1/4"	1 1/4 - 11.5 NPT	3.35	85	4.88	124	5.50	140	3.58	91	1.26	32.0	0.75	19.0	2.00	50	21.2	2.50	1.13	2.52	1.14
1 1/2"	1 1/2 - 11.5 NPT	3.94	100	5.51	140	6.20	158	3.97	101	1.50	38.0	0.77	19.5	2.20	56	26.8	3.43	1.56	3.45	1.56
2"	2 - 11.5 NPT	3.94	100	5.98	152	6.90	174	4.88	124	2.00	50.0	0.87	22.0	2.67	68	46.5	5.35	2.43	5.40	2.45

