

Feature

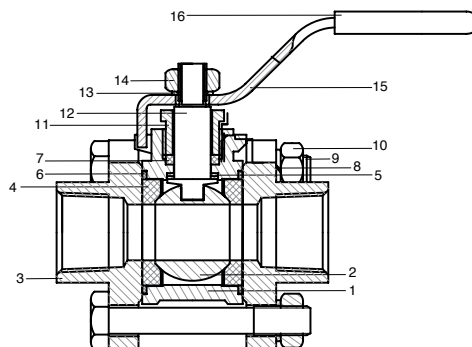
- 100# WSP / 1000# WOG
- Stainless Steel 3-Piece Body
- Full port
- Threaded ends
- Reinforced PTFE seats
- Blow-out proof stem
- MSS-SP-110



Pressure / Temperature rating	
1000# WOG	100 psi max. at 366 °F

Material

	Part	Material	Specification
1	Body	Stainless Steel	A316 CF8M
2	Ball	Stainless Steel	A276 316
3	Body cap	Stainless Steel	A316 CF8M
4	Seat	PTFE	-
5	Washer	PTFE	-
6	Gasket	PTFE	-
7	Packing	PTFE	-
8	Washer	Stainless Steel	-
9	Bolt	Stainless Steel	A304
10	Nut	Stainless Steel	A304
11	Gland	Stainless Steel	A304
12	Stem	Stainless Steel	A276 316
13	Washer	Stainless Steel	-
14	Nut	Stainless Steel	A304
15	Handle	Stainless Steel	A276 304
16	Handle sleeve	Vinyl	-



Dimension, Weight

Size	d [in]	E [in]	H [in]	L [in]	Weight [lb]
1/4"	0.46	3.86	2.13	2.70	0.92
3/8"	0.49	3.86	2.13	2.70	0.82
1/2"	0.59	4.13	2.30	2.87	1.32
3/4"	0.79	4.72	2.58	3.31	2.09
1"	0.98	5.91	2.91	3.56	2.40
1 1/4"	1.26	6.30	3.54	4.41	4.24
1 1/2"	1.50	7.09	3.78	4.72	5.40
2"	1.97	7.09	4.12	5.78	8.64

