



Figure # 1484E

PVC Union End Ball Valve

Product Features

- 200# CWP
- PVC Body
- Threaded Ends
- EPDM Stem Seals
- PTFE Seats
- Threaded & Socket adaptors included
- ANSI/NSF Approved

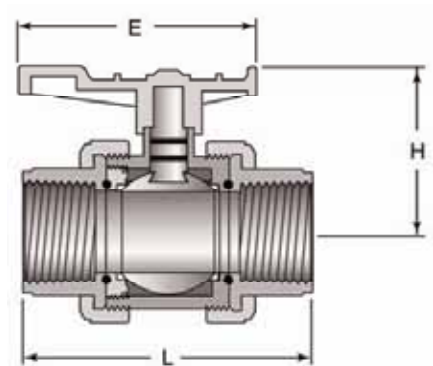


Certified to
ANSI/NSF 61



Dimensions, Weights (inches-lbs.) & Valve Data

Size	1/2	3/4	1	1-1/4	1-1/2	2
A	4.13	4.60	5.19	5.70	6.57	7.04
B	2.21	2.48	2.80	3.22	3.58	4.29
C	3.31	3.54	4.13	4.53	4.53	5.51
Wt	0.30	0.50	0.80	1.29	2.00	3.80



RED-WHITE VALVE CORP.

20600 Regency Lane, Lake Forest, CA 92630

TEL: 949.859.1010 • FAX: 949.859.7200 • www.redwhitevalvecorp.com