

Feature

- 300# WOG
- PP-R body
- Polyfusion x Barb (ASTM F1960)
- DZR lead free brass chrome-plated ball
- DZR lead free brass stem
- Virgin PTFE seats
- Blow-Out proof stem
- NBR O-ring packing
- AB1953, NSF/ANSI 61 & 372 certified
- IAPMO Z1157
- NSF-14



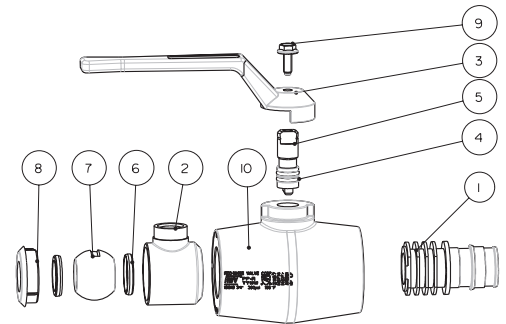
Meet BAA requirement

Extention stem and wing handle available

Max. Pressure	Max. Temperature
300 psi / 2068 kPa	185°F / 85°C

Material

	Part	Material	Specification
1	PEX End	DZR Lead Free Brass	ASTM B927 C27453
2	Cartridge body	Polypropylene	PP-R80
3	Lever Handle	Nylon	PA6-50G
4	O-Ring	NBR	NSF Approved
5	Stem	DZR Lead Free Brass	ASTM B927 C27453
6	Seat	PTFE	PTFE
7	Ball	DZR Lead Free Brass/Cr Plated	ASTM B927 C27453
8	Cartridge cap	Polypropylene	PP-R80
9	Screw	Steel / Geomet® plated	Steel
10	Body	Polypropylene	PP-R80



Dimension

Size		A		B		C		D		E		H		L		P		Wt. L	
in	DN	[in]	[mm]	[in]	[mm]	[in]	[mm]	[in]	[mm]	[in]	[mm]	[in]	[mm]	[in]	[mm]	[in]	[mm]	[lb]	[g]
1/2"	20	2.66	68	0.76	19	0.57	14	1.81	46	0.71	18	2.36	60	4.02	102	0.59	15	0.32	150
3/4"	25	2.78	71	0.96	24	0.63	16	2.01	51	0.95	24	2.36	60	4.02	102	0.59	15	0.49	222
1"	32	3.13	80	1.23	31	0.71	18	2.28	58	1.81	46	2.48	63	4.02	102	0.79	20	0.61	277

