

**Feature**

- 300# WOG
- PP-RCT body
- Polyfusion x Barb (ASTM F1960)
- DZR lead free brass chrome-plated ball
- DZR lead free brass stem
- Virgin PTFE seats
- Blow-Out proof stem
- NBR O-ring packing
- AB1953, NSF/ANSI 61 & 372 certified
- IAPMO Z1157
- NSF-14
- Green color



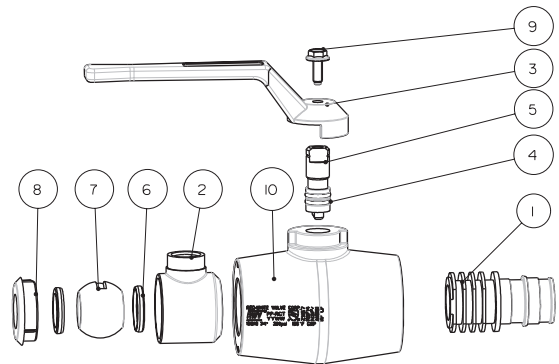
Meet BAA requirement

Extention stem and wing handle available

Max. Pressure	Max. Temperature
300 psi / 2068 kPa	185°F / 85°C

**Material**

Part	Material	Specification
1	PEX End	DZR Lead Free Brass ASTM B927 C27453
2	Cartridge body	Polypropylene PP-RCT
3	Lever Handle	Nylon PA6-50G
4	O-Ring	NBR NSF Approved
5	Stem	DZR Lead Free Brass ASTM B927 C27453
6	Seat	PTFE
7	Ball	DZR Lead Free Brass/Cr Plated ASTM B927 C27453
8	Cartridge cap	Polypropylene PP-RCT
9	Screw	Steel / Geomet® plated Steel
10	Body	Polypropylene PP-RCT



**Dimension**

Size	A	B	C	D	E	H	L	P	Wt. L										
in	DN	[in]	[mm]	[in]	[mm]	[in]	[mm]	[in]	[mm]	[lb]	[g]								
1/2"	20	2.66	68	0.76	19	0.57	14	1.81	46	0.71	18	2.36	60	4.02	102	0.59	15	0.32	150
3/4"	25	2.78	71	0.96	24	0.63	16	2.01	51	0.95	24	2.36	60	4.02	102	0.59	15	0.49	222
1"	32	3.13	80	1.23	31	0.71	18	2.28	58	1.81	46	2.48	63	4.02	102	0.79	20	0.61	277

