

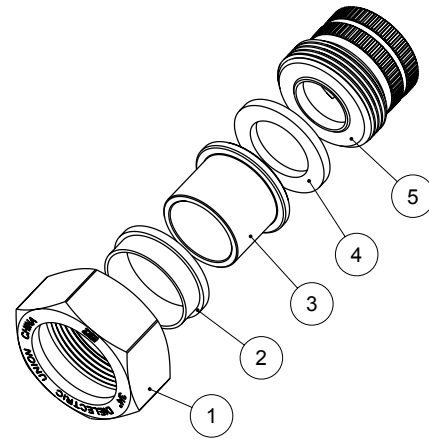
Feature

200# WOG
 Forged steel body
 FNPT x Solder
 ANSI/ASME B16.39
 EPDM gasket
 AB1953, NSF/ANSI 61 & 372 certified



Material

	Part	Material	Specification
1	Union nut	Steel / Zn plated	ASTM A105
2	Insulator	Plastic	
3	Tailpiece	Lead Free Brass	ASTM B927 C28450
4	Gasket	EPDM	NSF approved
5	Union body	Steel / Zn plated	ASTM A105



Dimension, Weight

	T [in]	D [in]	A [in]	E [in]	W [in]	Wt. [lb]
½"	½ - 14 NPT	0.627-0.631	1.81	1.63	1.44	0.32
¾"	¾ - 14 NPT	0.877-0.881	2.09	1.85	1.61	0.42
1"	1 - 11.5 NPT	1.128-1.131	2.32	2.15	1.87	0.54
1¼"	1¼ - 11.5 NPT	1.378-1.381	2.56	2.60	2.26	0.84
1½"	1½ - 11.5 NPT	1.628-1.632	2.68	2.95	2.76	1.26
2"	2 - 11.5 NPT	2.128-2.132	2.95	3.74	3.46	2.08

