



# Figure # 208B

Bronze Threaded End Gate Valve

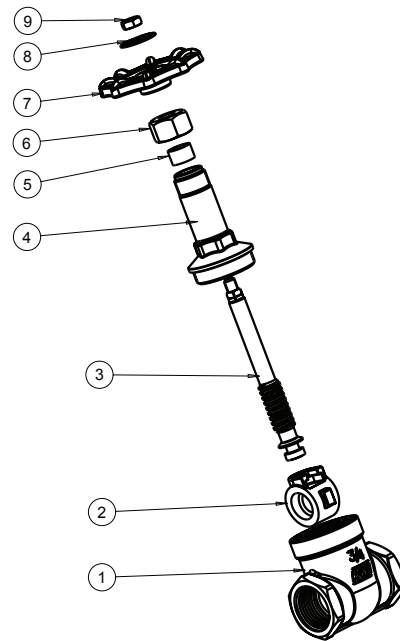
### Product Features

- 125# WSP / 200# WOG
- Cast Bronze Body
- Solid Disc
- Threaded Ends
- Inserted Bonnet
- Rising Stem
- MSS-SP-80
- DZR Trim



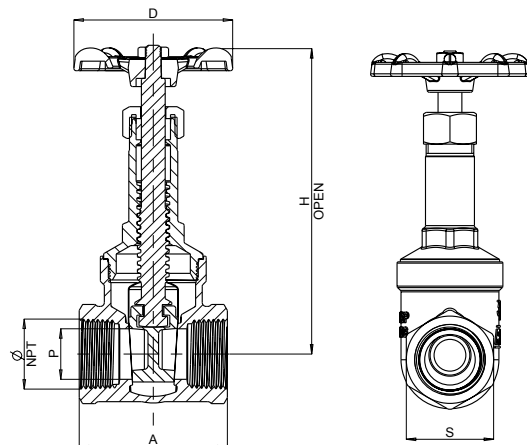
### Materials & Specifications

Item	Description	Material	Specification
1	Body	Cast Bronze	C83600
2	Wedge	Cast Bronze	C83600
3	Stem	DZR Brass	C35330
4	Bonnet	Cast Bronze	C83600
5	Packing Ring	Graphite	-
6	Packing Nut	Brass	C37700
7	Handwheel	Aluminum	A03840
8	Disk	Aluminum	B3105
9	Nut	Steel/Zn plated	A36



### Dimensions, Weights (inches-lbs.) & Valve Data

Size	1/2	3/4	1	1-1/4	1-1/2	2
A	1.97	2.20	2.68	2.68	2.99	3.15
D	2.36	2.36	2.76	3.35	3.35	3.94
H	4.50	5.43	6.80	7.88	9.05	11.22
P	0.51	0.75	1.00	1.26	1.50	2.00
S	1.06	1.30	1.53	1.97	2.20	2.68
Wt	0.69	1.10	1.85	2.38	3.38	4.85



**RED-WHITE VALVE CORP.**

20600 Regency Lane, Lake Forest, CA 92630

TEL: 949.859.1010 • FAX: 949.859.7200 • www.redwhitevalvecorp.com

(151218)