



Figure # 212
Bronze Solder End Globe Valve

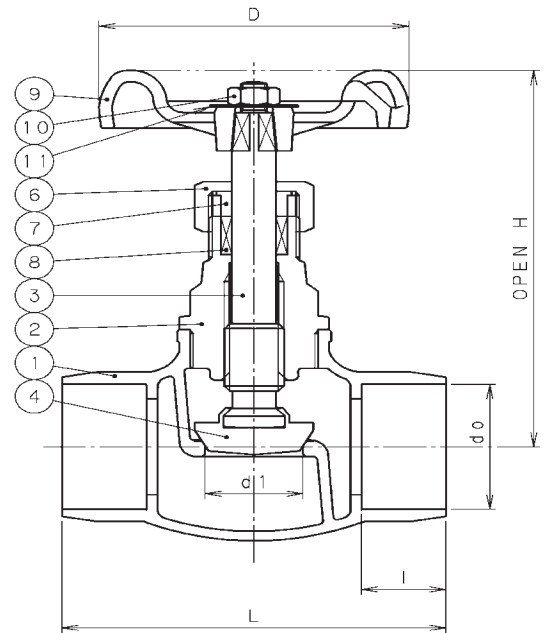
Product Features

- 125# WSP / 200# WOG
- Bronze Body
- Solder Ends
- Inserted Bonnet
- Swivel Type Disc
- MSS-SP-80



Materials & Specifications

Item	Description	Material	Specification
1	Body	Cast Bronze	B62-C83600
2	Bonnet	1/2" - 2" Bronze	B62-C83600
2	Bonnet	3/8" Brass	B283-C37700
3	Stem	Brass	DR Alloy
4	Disc	2" Bronze	B62-C83600
4	Disc	3/8" - 1-1/2" Brass	DR Alloy
5	Lock Nut	2" Brass	B16-C36000
6	Packing Nut	Brass	B283-C37700
7	Gland	1" - 2" Brass	B124-C37700
8	Gland Packing	Plastic/Graphite	T#2996NA
9	Handwheel	3/4" - 2" Alum. Alloy	B85-SC114A
9	Handwheel	3/8" - 1/2" Zinc Alloy	B86-AG40A
10	Wheel Nut	Zinc plated	A36
11	Name Plate	Aluminum	B209-1100



Dimensions & Weights (inches-lbs.)

Size	3/8	1/2	3/4	1	
d O	min.	.502	.627	.877	1.128
	max.	.506	.631	.881	1.132
D	2.17	2.17	2.48	2.76	
d1	.47	.59	.79	.98	
H	2.91	3.03	3.5	4.33	
I	.38	.50	.75	.91	
L	2.09	2.56	3.35	3.86	
Cv	2	3.5	6.5	12	
Wt.- lbs.	.46	.60	.88	1.43	

Size 2"

