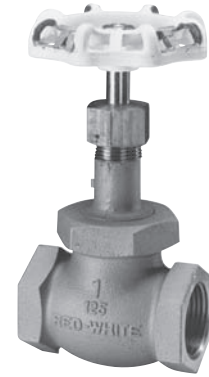




Figure # 220
Bronze Threaded Globe Valve

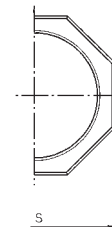
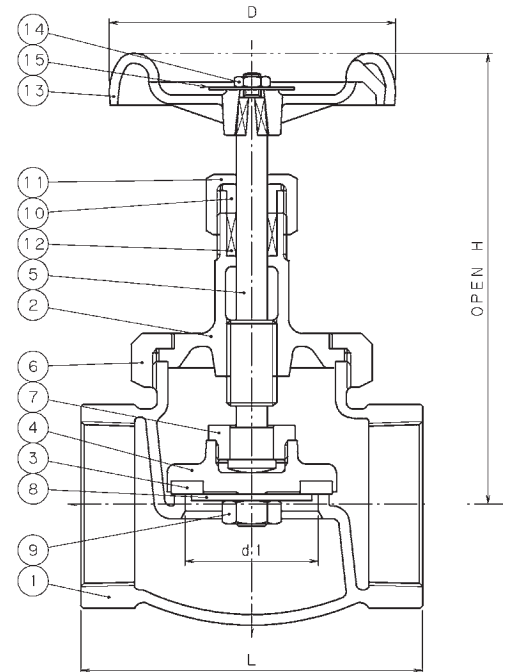
Product Features

- 125# WSP / 200# WOG
- Bronze Body
- Threaded Ends
- Union Bonnet
- PTFE Disc
- MSS-SP-80



Materials & Specifications

Item	Description	Material	Specification
1	Body	Bronze	B62-C83600
2	Bonnet	1" - 3" Bronze	B62-C83600
2	Bonnet	3/8" & 3/4" Brass	B124-C37700
3	Soft seat	1/2" - 2" PTFE	RPTFE
3	Soft Seat	3/8", 2-1/2" & 3" PTFE	PTFE
4	Disc Holder	1-1/2" - 3" Bronze	B62-C83600
4	Disc Holder	1/2" - 1" Brass	B283-C37700
4	Disc Holder	3/8" - 1-1/4" Brass	B124-C37700
5	Stem	Brass	DR Alloy
6	Union Nut	1-1/4" - 3" Bronze	B62-C83600
6	Union Nut	3/8" - 1" Brass	B283-C37700
7	Lock Nut	1-1/4" - 3" Brass	B16-C36000
8	Seat Holder	1-1/4" - 3" Brass	B36-C26000
9	Disc Nut	Brass	B16-C36000
10	Gland	1" - 3" Brass	B124-C37700
11	Packing Nut	Brass	B283-C37700
12	Gland Packing	Plastic/ Graphite	T#2996NA
13	Handwheel	Alum. Alloy	B85-SC114A
14	Wheel Nut	Zinc plated	A36
15	Name Plate	Aluminum	B209-1100



Dimensions & Weights (inches-lbs.)

Size	3/8	1/2	3/4	1	1-1/4	1-1/2	2	2 1/2	3
D	2.48	2.48	2.76	3.15	3.54	3.94	4.33	4.92	5.51
d1	.49	.59	.79	.98	1.26	1.58	1.97	2.52	2.72
H	4.17	3.62	3.94	4.80	5.55	6.22	7.09	9.13	10.16
L	2.28	2.28	2.64	3.07	3.47	4.02	4.72	5.71	6.30
S	1.02	1.10	1.38	1.69	2.05	2.28	2.84	3.50	4.09
Cv	2	3.5	6.5	12	21	30	49	87	128
Wt.- lbs.	.88	.86	1.26	1.85	2.84	4.12	6.46	11.05	16.12

