

Lead Free Brass Threaded Ends Swing Check Valve

**Feature**

- 125# WSP / 200# WOG
- Lead free brass body
- Lead free brass disc
- FNPT x FNPT
- Threaded ends (ASME B1.20.1-NPT)
- Swing check
- "Y" Pattern
- MSS-SP-80
- AB1953, NSF/ANSI 61 & 372 certified

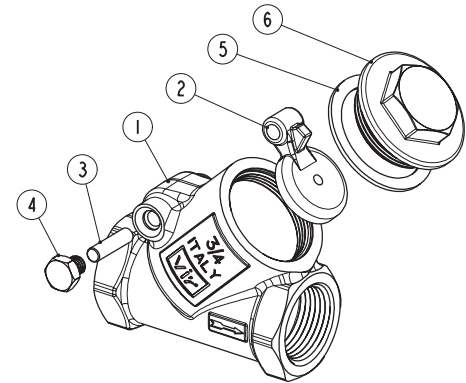


Meet BAA requirement

Pressure/ Temperature rating	
200 psi from 15 °F to 160 °F	125 psi max. at 366 °F

**Material**

	Part	Material	Specification
1	Body	Lead Free Brass	ASTM B927 C28500
2	Disc	Lead Free Brass	ASTM B927 C28500
3	Stem	Lead Free Brass	ASTM B927 C28500
4	Screw	Lead Free Brass	ASTM B927 C28500
5	Gasket	PTFE	PTFE
6	Cap	Lead Free Brass	ASTM B927 C28500



**Dimension, Cv, Weight**

Size	A [in]	H [in]	P [in]	Cv	Wt. L [lb]
1/2"	2.21	1.65	0.59	5.33	0.56
3/4"	2.76	1.97	0.75	10.5	0.86
1"	3.15	2.28	0.98	19.0	1.28
1 1/4"	3.78	2.71	1.26	32.8	2.06
1 1/2"	4.33	3.19	1.50	50.6	2.84
2"	5.04	3.86	1.97	88.1	4.46

