

#### Feature

125# WSP / 200# WOG  
 Bronze body  
 DZR brass disc  
 FNPT x FNPT  
 Threaded ends (ASME B1.20.1-NPT)  
 Swing check  
 "Y" Pattern  
 MSS-SP-80



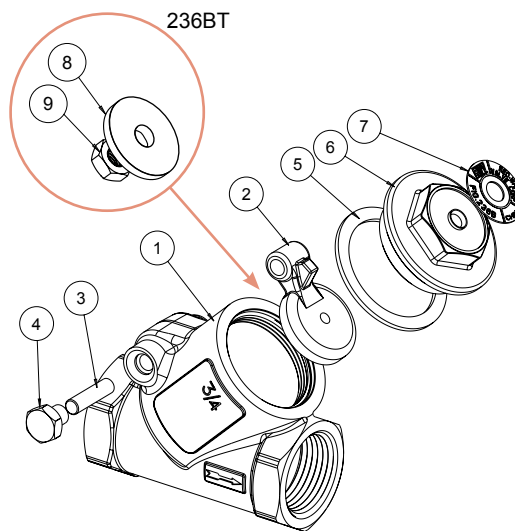
236B = Metal seat  
 236BT= Virgin PTFE seat

Pressure/ Temperature rating	
200 psi from 15 °F to 160 °F	125 psi max. at 366 °F

#### Material

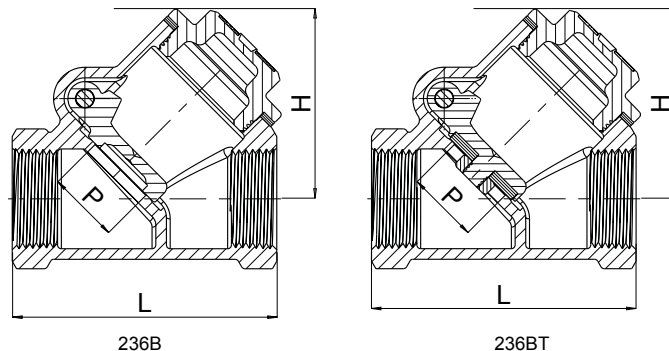
	Part	Material	Specification
1	Body	Bronze	ASTM B62 C83600
2	Disc	DZR Brass	UNS C35330
3	Stem	Brass	ASTM B124 C37700
4	Screw	Brass	ASTM B124 C37700
5	Gasket	PTFE	TF1502
6	Cap	Bronze	ASTM B62 C83600
7	Name plate	Aluminum	-
8	Gasket*	PTFE	-
9	Nut*	Brass	ASTM B124 C37700

\* Only with 236BT



#### Dimension, Cv, Weight

		H		L		P		Cv	Wt. (236B)		Wt. (236BT)	
		[in]	[mm]	[in]	[mm]	[in]	[mm]		[lb]	[g]	[lb]	[g]
1/4"	1/4 - 18 NPT	1.57	40	2.04	52	0.51	13	4.81	0.44	200	0.47	213
3/8"	3/8 - 18 NPT	1.57	40	2.04	52	0.51	13	4.81	0.45	204	0.45	204
1/2"	1/2 - 14 NPT	1.67	42	2.20	56	0.59	15	6.18	0.58	263	0.58	263
3/4"	3/4 - 14 NPT	1.97	50	2.76	70	0.75	19	11.1	0.96	435	1.04	472
1"	1 - 11.5 NPT	2.28	58	3.15	80	0.99	25	18.1	1.34	608	1.36	617
1 1/4"	1 1/4 - 11.5 NPT	2.71	69	3.78	96	1.25	32	37.4	2.28	1034	2.24	1016
1 1/2"	1 1/2 - 11.5 NPT	3.19	81	4.33	110	1.50	38	53.6	3.23	1465	3.23	1465
2"	2 - 11.5 NPT	3.86	98	5.04	128	1.97	50	91.1	5.21	2363	5.21	2363
2 1/2"	2 1/2 - 8 NPT	4.57	116	6.14	156	2.50	64	147	8.27	3751	8.47	3842
3	3 - 8 NPT	5.35	136	7.24	184	3.00	76	211	11.73	5321	12.06	5470



236B

236BT