

Feature

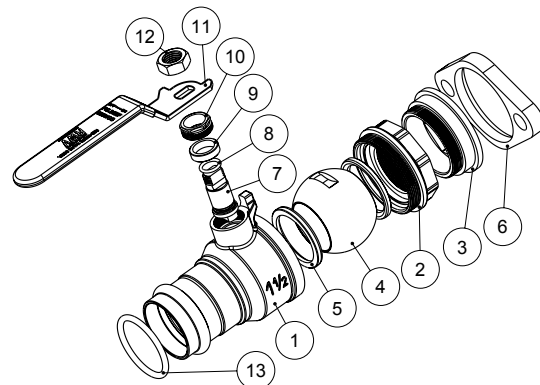
- 600# WOG
- 3-piece brass construction
- Full port
- EzPress end x Flange
- Rotating flange design
- ¼-turn operation
- Includes wing handle & bolt kit



Material

	Part	Material	Specification
1	Body	DZR Brass	UNS C35330
2	End piece	Brass	ASTM B283 C37700
3	End piece*	Brass	ASTM B124 C37700
4	Ball	Brass / Cr plated	ASTM B30 C85700
5	Seat	PTFE	PTFE
6	Flange	Brass	ASTM B283 C37700
7	Stem	Brass	ASTM B124 C37700
8	O-ring	FKM	NSF approved
9	Packing ring	PTFE	PTFE
10	Packing nut	Brass	ASTM B124 C37700
11	Handle	Steel / Dacromet® plated	ASTM A36
12	Nut	Steel / Zn plated	ASTM A36
13	O-ring	EPDM Perox	NSF approved

* Only for 1½" - 2"



Dimension, Weight

Size	φ	A [in]	C [in]	H [in]	L [in]	P [in]	Wt. [lb]
¾"	0.89	2.50	0.63	2.07	3.58	0.73	1.50
1"	1.14	2.81	0.75	2.36	4.96	0.94	1.92
1¼"	1.43	3.32	0.77	2.58	4.96	1.22	2.20
1½"	1.64	3.70	0.77	2.87	5.55	1.46	2.80
2"	2.14	4.57	0.79	3.25	5.55	1.95	4.16

