

DZR Lead Free Brass PEX Pump Flange Ball Valve with Drain

Feature

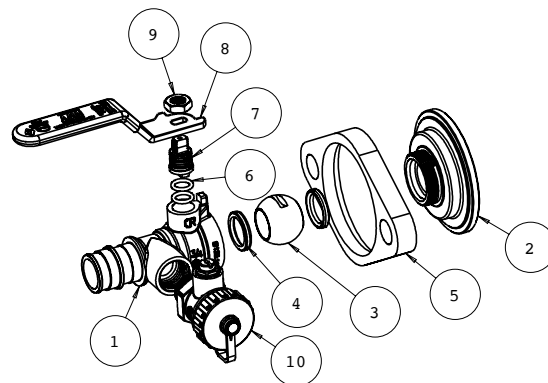
- 400# WOG
- DZR lead free brass body
- Full port
- PEX (F1960) x Flange
- Chrome plated ball
- Virgin PTFE seats
- Blow-out proof stem
- 3-piece construction
- Rotating flange design
- ¼-turn operation
- Positive shutoff
- Bolt kits included
- Wing handle included
- AB1953, NSF/ANSI 61 & 372 certified



Pressure/ Temperature rating	
300 psi from 15 °F to 160 °F	150 psi max. at 200 °F

Material

Part	Material	Specification
1 Body	DZR Lead Free Brass	ASTM B927 C27453
2 End piece	DZR Lead Free Brass	ASTM B927 C27453
3 Ball	DZR Lead Free Brass / Cr plated	ASTM B927 C27453
4 Seat	PTFE	PTFE
5 Flange	Brass	ASTM B283 C37700
6 O-ring	NBR 70SH	NSF approved
7 Stem	DZR Lead Free Brass	ASTM B927 C27453
8 Handle	Steel / Dacromet® plated	ASTM A36
9 Handle nut	Steel / Zn plated	ASTM A36



Dimension, Weight

Size	B [in]	C [in]	φ F [in]	G [in]	H [in]	L [in]	φ M	φ P [in]	Wt. [lb]
¾"	3.11	4.61	0.50	2.46	1.78	3.59	3/4-11.5 NH	0.60	1.37
1"	3.62	4.67	0.50	2.48	1.93	3.59	3/4-11.5 NH	0.80	1.55

