



**Figure # 267**  
Brass Gate Valve (1/2"-4")

**Product Features**

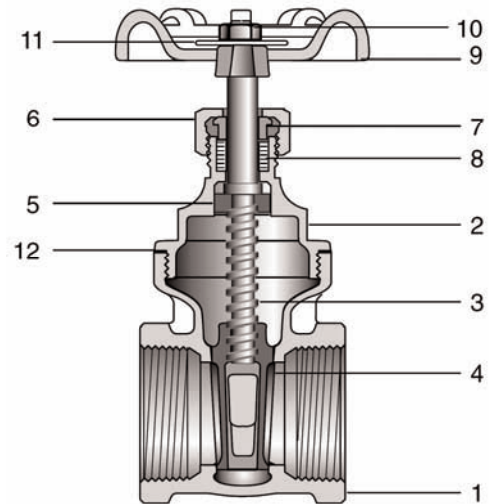
- 200# WOG
- Brass Body
- Non-Rising Stem
- Solid Disc
- Threaded Ends
- Inserted bonnet



Pressure/Temperature Ratings	
200# WOG	212 degrees F. max temp.

**Materials & Specifications**

Item	Description	Material	Specification
1	Body	Brass	B584 C85400
2	Bonnet	Brass	B584 C85400
3	Stem	Brass	B124
4	Disc	Brass	B124
5	Lock Nut	Brass	B124
6	Gland nut	Brass	B124
7	Gland	Brass	B124
8	Packing	PTFE	-
9	Handwheel	Aluminum	-
10	Nut	Steel	A36
11	Tag	Aluminum	-
12	Gasket	PTFE	-



**Dimensions, Weights (inches-lbs.) & Valve Data**

Size	1/2	3/4	1	1-1/4	1-1/2	2	2-1/2	3	4
D	.5	.68	.9	1.1	1.37	1.73	2.22	2.71	3.42
H	2.75	3.15	3.62	4.37	4.84	5.43	6.85	7.91	9.29
L	1.65	1.77	2.02	2.16	2.3	2.49	3.22	3.77	4.0
Wt.- lbs.	.5	.63	.94	1.44	1.88	2.56	5.56	6.88	12.44

