

Lead Free Brass EzPress Water Heater Isolation Valve Kit

Feature

- 600# WOG (non-shock)
- Lead free brass construction
- ¼ turn operation
- Full port
- Adjustable packing
- Blow-out proof stem
- EzPress end x FNPT tailpiece (ASME B1.20.1-NPT)
- AB1953, NSF/ANSI/CAN 61 & 372 certified

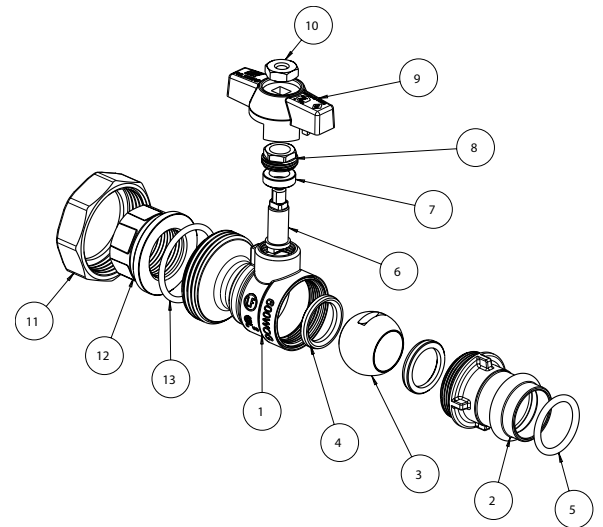
3331AB: Hot valve operation (red handle)
 3332AB: Cold valve operation (blue handle)



Material

	Part	Material	Specification
1	Body	Lead Free Brass	ASTM B927 C27450
2	Fixed end	Lead Free Brass	ASTM B927 C27450
3	Ball	Lead Free Brass / Cr plated	ASTM B927 C27450
4	Seat	PTFE	PTFE
5	O-ring	EPDM Perox	NSF approved
6	Stem	Lead Free Brass	ASTM B927 C27450
7	Packing ring	PTFE	PTFE
8	Packing nut	Brass	ASTM B283 C37700
9	T-handle *	Aluminum	ASTM B85
10	Handle nut	Steel /Zn plated	ASTM A36
11	Union nut	Brass	ASTM B283 C37700
12	Union	Lead Free Brass	ASTM B927 C27450
13	O-ring	EPDM Perox	NSF approved

*3331AB: Red, 3332AB: Blue



Dimension, Weight

Size	Φ [in]	C [in]	A [in]	H [in]	P [in]	Wt. [lb]
¾"	¾ - 14 NPT	0.89	4.27	1.66	0.73	0.95

