

Lead Free Brass Threaded Tankless Water Heater Valve Kit

Feature

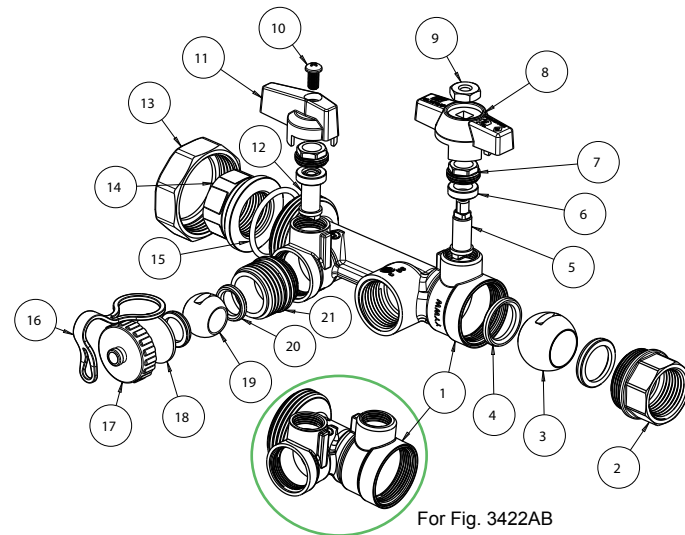
- 600# WOG (non-shock)
- Lead free brass construction
- ¼ turn operation
- Full port
- Adjustable packing
- Blow-out proof stem
- Integral hose end drain/purge valve
- FNPT end x FNPT tailpiece (ASME B1.20.1-NPT)
- Integral relief valve port (3/4")
 - 3420LRAB: 200K BTU/hr relief
 - 3420LSAB: 500K BTU/hr relief
 - 3420LTAB: 2.7M BTU/hr relief
- AB1953, NSF/ANSI/CAN 61 & 372 certified



- 3421LAB: Hot valve operation (red handle)
- 3422AB: Cold valve operation (blue handle)

Material

	Part	Material	Specification
1	Body	Lead Free Brass	ASTM B927 C27450
2	Fixed end	Lead Free Brass	ASTM B927 C27450
3	Ball	Lead Free Brass / Cr plated	ASTM B927 C27450
4	Seat	PTFE	PTFE
5	Stem	Lead Free Brass	ASTM B927 C27450
6	Packing ring	PTFE	PTFE
7	Packing nut	Brass	ASTM B124 C37700
8	T-handle	Aluminum	ASTM B85
9	Handle nut	Steel /Zn plated	ASTM A36
10	Handle screw	Steel /Zn plated	ASTM A36
11	Handle	Aluminum	ASTM B85
12	Stem	Lead Free Brass	ASTM B927 C27450
13	Union nut	Brass	ASTM B283 C37700
14	Union	Lead Free Brass	ASTM B927 C27450
15	O-ring	EPDM Perox	NSF approved
16	Cap retainer	Rubber	-
17	Drain cap	Brass	ASTM B283 C37700
18	Drain gasket	EPDM Perox	NSF approved
19	Ball	Lead Free Brass / Cr plated	ASTM B927 C27450
20	Seat	PTFE	PTFE
21	Fixed end	Lead Free Brass	ASTM B927 C27450



For Fig. 3422AB

Dimension, Weight

Size	Φ [in]	ΦSC [in]	ΦSL [in]	ΦP [in]	A* [in]	B [in]	H [in]	Wt.* [lb]
¾"	¾ - 14NPT	¾ - 14NPT	0.50	0.73	6.22 / 4.06	2.35	1.66	1.64 / 1.60

* 3421LAB / 3422AB

