



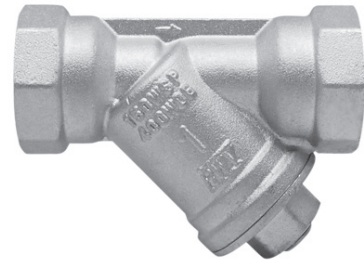
ECO-VALVE

Figure # 380AB

Low Lead Brass Threaded Y-strainer

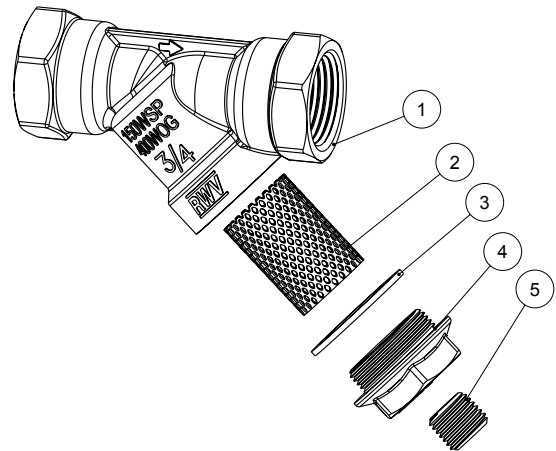
Product Features

- 125# WSP / 200# WOG
- Low Lead Brass Body
- Threaded Ends
- Stainless Steel Mesh Screen
- Threaded Cap with Clean Out Plug
- * NSF 61-G & NSF 372 Certified



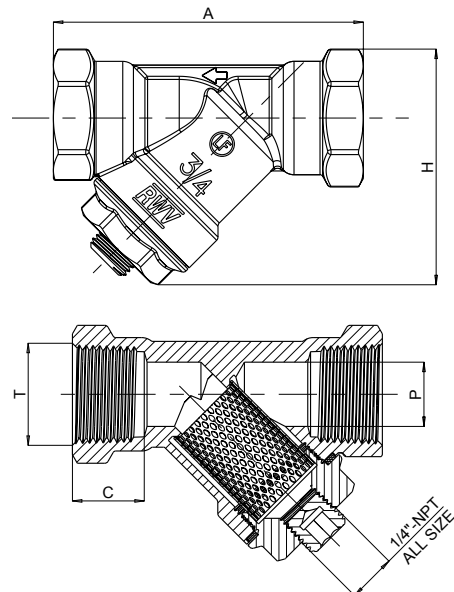
Materials & Specifications

Item	Description	Material	Specification
1	Body	Low Lead Brass	UNS C28500
2	Strainer	Stainless Steel	SS 304
3	Gasket	PTFE	PTFE
4	Cap	Low Lead Brass	UNS C28500
5	Plug	Low Lead Brass	UNS C28500



Dimensions, Weights (inches-lbs.) & Valve Data

Size	1/2	3/4	1	1-1/4	1-1/2	2
A	2.76	3.23	3.64	4.11	4.69	5.28
H	2.13	2.36	2.64	3.50	4.13	4.74
P	0.59	0.67	0.79	1.26	1.57	1.97
C	0.61	0.75	0.75	0.77	0.77	0.83
Wt	0.46	0.65	0.95	1.30	1.98	2.69



RED-WHITE VALVE CORP.

20600 Regency Lane, Lake Forest, CA 92630

TEL: 949.859.1010 • FAX: 949.859.7200 • www.redwhitevalvecorp.com

(150529)