



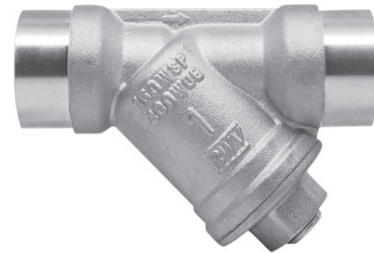
ECO-VALVE

Figure # 387AB

Low Lead Brass Solder Y-strainer

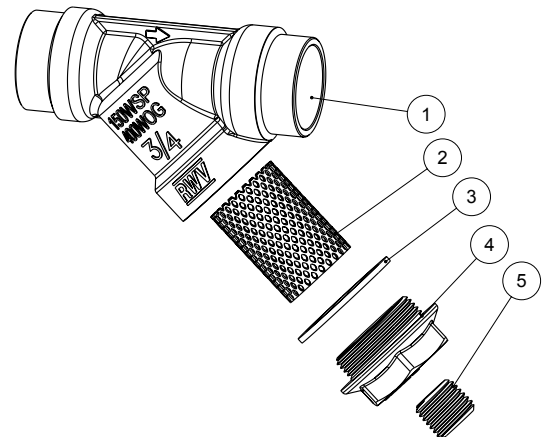
Product Features

- 125# WSP / 200# WOG
- Low Lead Brass Body
- Solder Ends
- Stainless Steel Mesh Screen
- Threaded Cap with Clean Out Plug
- * NSF 61-G & NSF 372 Certified



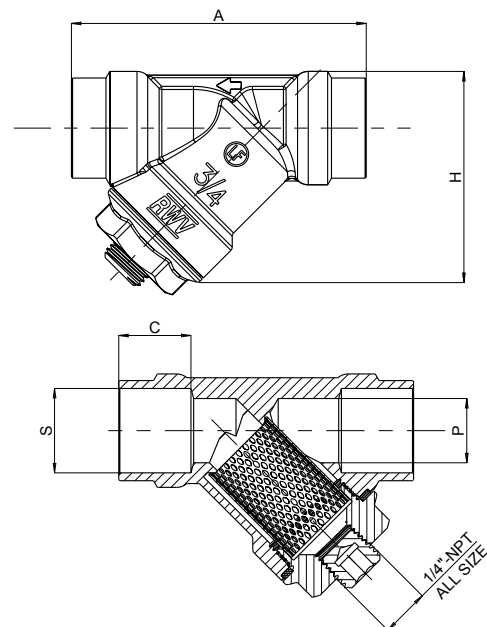
Materials & Specifications

Item	Description	Material	Specification
1	Body	Low Lead Brass	UNS C28500
2	Strainer	Stainless Steel	SS 304
3	Gasket	PTFE	PTFE
4	Cap	Low Lead Brass	UNS C28500
5	Plug	Low Lead Brass	UNS C28500



Dimensions, Weights (inches-lbs.) & Valve Data

Size	1/2	3/4	1	1-1/4	1-1/2	2
A	2.68	3.07	3.79	4.53	5.16	6.10
H	2.01	2.20	2.64	3.43	4.06	4.65
P	0.59	0.67	0.79	1.26	1.57	1.97
C	0.51	0.75	0.91	0.98	1.09	1.34
S	0.627- 0.631	0.877- 0.881	1.128- 1.131	1.378- 1.381	1.628- 1.632	2.128- 2.132
Wt	0.42	0.55	0.82	1.37	1.92	2.71



RED-WHITE VALVE CORP.

20600 Regency Lane, Lake Forest, CA 92630

TEL: 949.859.1010 • FAX: 949.859.7200 • www.redwhitevalvecorp.com

(150529)