

Feature

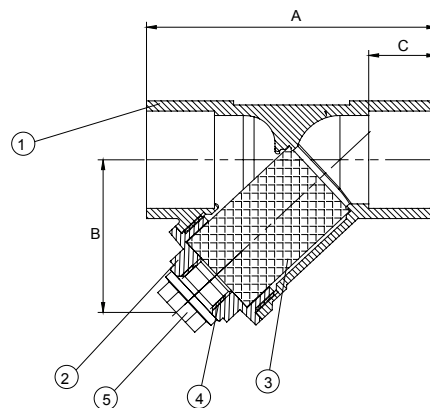
- 125# WSP / 200# WOG
- Bronze body
- Solder x Solder
- Solder ends (ASME B16.22)
- Stainless steel 20 mesh screen
- Threaded cap with clean out plug



Connection Working Pressure			
Solder used in joint	Working temp (°F)	Max. working pressure (PSI)	
		3/8" - 1"	1 1/4" - 2"
95-5 Tin antimony (ASTM B32 grade 95TA)	100	500	400
	150	400	350
	200	300	250
	250	200	175

Material

	Part	Material	Specification
1	Body	Cast bronze	ASTM B62 C83600
2	Cap	Cast bronze	ASTM B62 C83600
3	Screen	Stainless steel	ASTM A276 C30400
4	Gasket	PTFE	-
5	Plug	Cast bronze	ASTM B62 C83600



Dimension, Weight

	Φ	A [in]	B [in]	C [in]	Plug size [in]	Wt. [lb]
1/2"	0.627-0.631	2.71	0.50	1.88	1/4	0.40
3/4"	0.877-0.881	3.32	0.75	2.12	1/4	0.60
1"	1.128-1.131	3.78	0.90	2.65	3/8	1.00
1 1/4"	1.378-1.381	4.20	0.90	2.84	3/8	1.37
1 1/2"	1.628-1.632	5.21	1.10	3.41	1/2	2.35
2"	2.128-2.132	5.88	1.35	3.88	1/2	3.50