

Iron Swing Check Valve

Feature

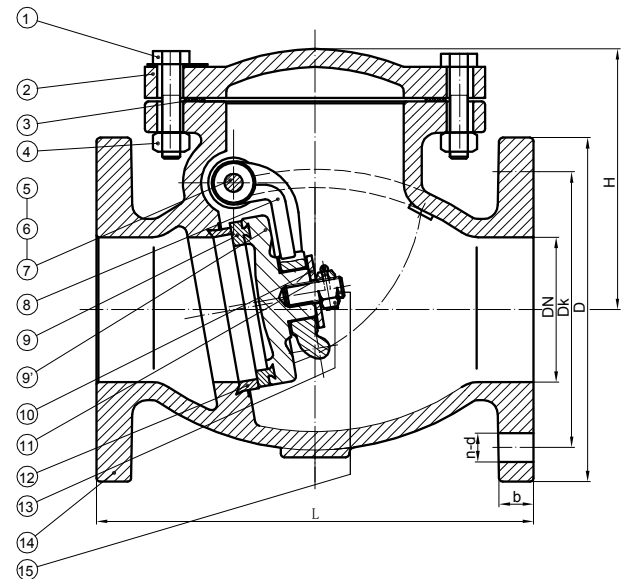
125# WSP / 200# WOG
 Cast Iron Body
 Flanged Ends per ANSI B16.10
 IBBM
 Bolted cover
 MSS-SP-71

Working Pressure and Temperature
 Working Pressure: Class125
 Temperature: 14°F - 353°F



Material

	Part	Material	Specification
1	Bolt	Steel	ASTM A307-B
2	Bonnet	Cast Iron	ASTM A126-B
3	Body gasket	Graphite	
4	Nut	Steel	ASTM A307-B
5	Side plug	Brass	ASTM B16
6	Gasket	Fiber	
7	Hinge pin	Cast Bronze	ASTM A124 C63200
8	Hinge	Ductile Iron	ASTM A536 65-45-12
9	Disc ring	Cast Bronze	ASTM A124 C63200
9'	Disc	Cast Iron	ASTM A126-B
10	Washer	Steel	ASTM A307-B
11	Pin	Stainless Steel	ASTM 420 S42000
12	Seat ring	Cast Bronze	ASTM A124 C63200
13	Disc nut	Steel	ASTM A307-B
14	Body	Cast Iron	ASTM A126-B
15	Stud bolt	Steel	ASTM A307-B



Dimension, Weight, Cv

Size	L [in]	Dk [in]	D [in]	b [in]	n-d	H [in]	Weight [lb]	Cv
2"	8.00	4.76	5.98	0.63	4 - 3/4	4.45	25.2	110
2-1/2"	8.50	5.51	7.01	0.69	4 - 3/4	5.24	38.0	143
3"	9.50	6.00	7.48	0.75	4 - 3/4	5.67	46.6	206
4"	11.50	7.50	9.00	0.93	8 - 3/4	6.61	78.8	440
5"	13.00	8.50	10.00	0.94	8 - 7/8	7.80	118	575
6"	14.00	9.49	11.00	1.00	8 - 7/8	8.54	158	830
8"	19.49	11.75	13.50	1.18	8 - 7/8	10.28	267	1500
10"	24.49	14.25	15.98	1.22	12 - 1	11.30	425	2370
12"	27.50	17.01	19.02	1.25	12 - 1	12.56	491	3470