



Figure # 4550
Stainless Ball Valve (1/2"-2")

Product Features

- 1000# WOG/100# WSP
- 316 Stainless Steel 1-Piece Body
- Threaded Ends
- Reduced Port
- Blow-Out Proof Stem
- Reinforced PTFE seats
- Locking handle
- MSS-SP-110

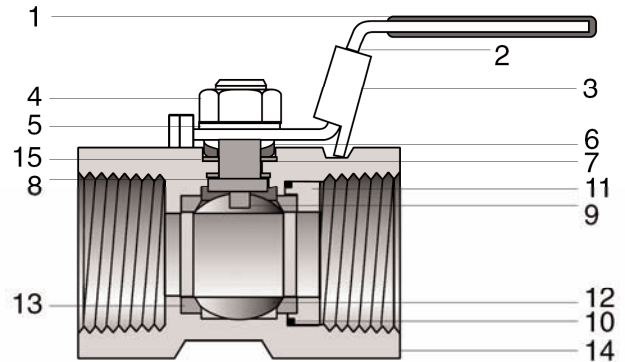


Pressure/Temperature Ratings

100 PSI max steam/ 1000# WOG	360 degrees F. max temp.
------------------------------	--------------------------

Materials & Specifications

Item	Description	Material	Specification
1	Handle Sleeve	Vinyl	-
2	Handle	Stainless Steel	A276 304
3	Locking device	Stainless Steel	A276 304
4	Handle nut	Stainless Steel	A276 304
5	Stem Washer	Stainless Steel	A276 304
6	Washer	Stainless Steel	A276 304
7	Packing	PTFE	-
8	Washer	PTFE	-
9	Stem	Stainless Steel	A276 316
10	Gasket	PTFE	-
11	Seat Retainer	Stainless Steel	A276 316
12	Ball	Stainless Steel	A276 316
13	Seat	PTFE	-
14	Body	Stainless Steel	A316 CF8M
15	Washer	Stainless Steel	A276 304



Dimensions, Weights (inches-lbs.) & Valve Data

Size	1/2	3/4	1	1-1/4	1-1/2	2
d	.36	.49	.63	.78	.97	1.26
E	3.8	3.8	4.2	4.2	5.3	5.6
H	1.7	1.9	2.4	2.4	2.8	3.3
L	2.2	2.3	2.8	3	3.3	3.9
Wt.- lbs.	.5	.6	.9	1.6	1.6	3

