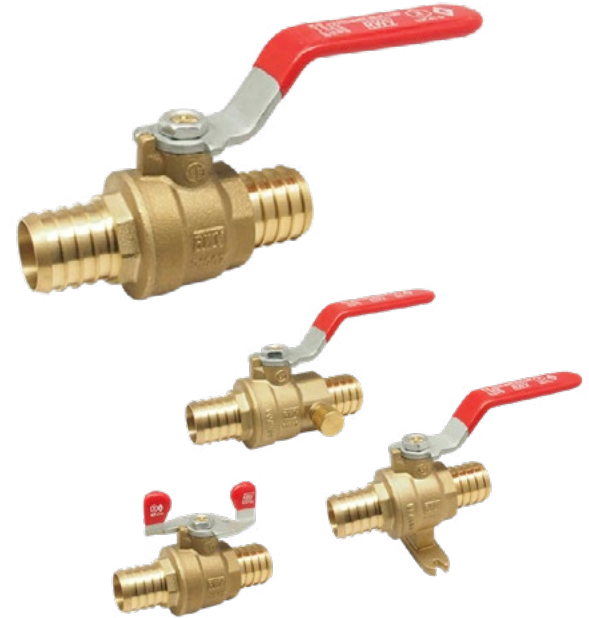


**Feature**

- 400# WOG
- DZR lead free brass body
- F1807 full port
- Barb (F1807) x Barb (F1807)
- PEX ends (ASTM F1807)
- Chrome plated ball
- Virgin PTFE seats
- Blow-out proof stem
- Double NBR O-ring packing
- CSA B125.14
- AB1953, NSF/ANSI 61 & 372 certified

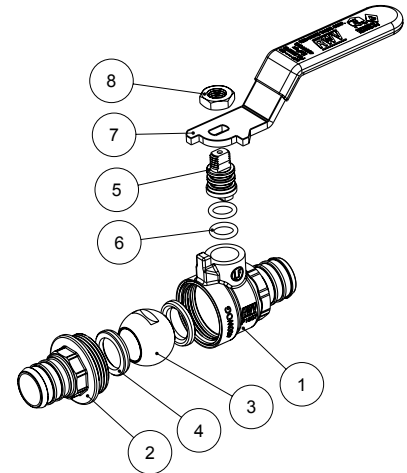
- Available in the following options:
- with drain (5009ABD)
  - with mounting foot (5009ABF)
  - with wing handle (5009ABW)

Pressure/ Temperature rating	
300 psi from 15 °F to 160 °F	150 psi max. at 200 °F



**Material**

	Part	Material	Specification
1	Body	DZR Lead Free Brass	ASTM B927 C27453
2	End piece	DZR Lead Free Brass	ASTM B927 C27453
3	Ball	DZR Lead Free Brass / Cr plated	ASTM B927 C27453
4	Seat	PTFE	PTFE
5	Stem	DZR Lead Free Brass	ASTM B927 C27453
6	O-ring	NBR	NSF approved
7	Handle	Steel / Dacromet® plated	ASTM A36
8	Handle nut	Steel / Zn plated	ASTM A36



**Dimension, Weight**

Size	A [in]	H [in]	L [in]	P [in]	Wt. [lb]
1/2"	2.31	1.38	3.19	0.35	0.24
3/4"	2.61	1.73	3.58	0.53	0.36
1"	3.15	1.85	3.58	0.71	0.52

