

DZR Lead Free Brass PEX Ball Valve with Mounting Foot

Feature

- 400# WOG
- DZR lead free brass body
- Drain port & mounting foot
- F1807 full port
- Barb (F1807) x Barb (F1807)
- PEX ends (ASTM F1807)
- Chrome plated ball
- Virgin PTFE seats
- Blow-out proof stem
- Double NBR O-ring packing
- CSA B125.14
- AB1953, NSF/ANSI 61 & 372 certified

Available in the following options:

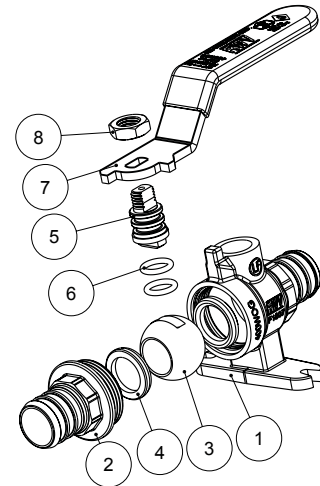
- Base design ([5009AB](#))
- with drain port ([5009ABD](#))
- with drain port & mounting foot ([5009ABDF](#))
- with wing handle ([5009ABW](#))



Pressure/ Temperature rating	
300 psi from 15 °F to 160 °F	150 psi max. at 200 °F

Material

Part	Material	Specification
1 Body	DZR Lead Free Brass	ASTM B927 C27453
2 End piece	DZR Lead Free Brass	ASTM B927 C27453
3 Ball	DZR Lead Free Brass / Cr plated	ASTM B927 C27453
4 Seat	PTFE	PTFE
5 Stem	DZR Lead Free Brass	ASTM B927 C27453
6 O-ring	NBR	NSF approved
7 Handle	Steel / Dacromet® plated	ASTM A36
8 Handle nut	Steel / Zn plated	ASTM A36



Dimension, Weight

Size	A [in]	H [in]	L [in]	E [in]	D [in]	P [in]	Wt. [lb]
1/2"	2.31	1.36	3.20	0.93	2.07	0.39	0.32
3/4"	2.60	1.72	3.59	1.00	2.07	0.50	0.46
1"	3.15	1.85	3.59	1.16	2.07	0.71	0.60

