

#### Feature

- 400# WOG
- DZR lead free brass body
- F1960 full port
- Barb (F1960) x Solder
- PEX end (ASTM F1960)
- Solder end (ASME B16.22)
- Chrome plated ball
- Virgin PTFE seats
- Blow-out proof stem
- Double NBR O-ring packing



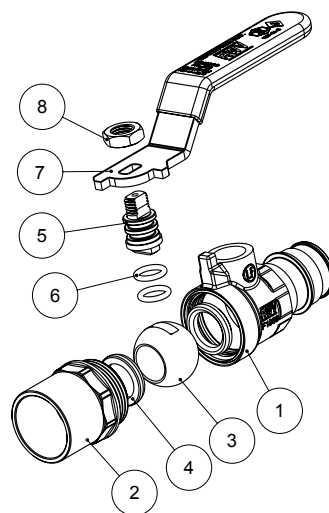
Other sizes available with:

- [5017AB](#) & [5017ABW](#)

Pressure/ Temperature rating	
300 psi from 15 °F to 160 °F	150 psi max. at 200 °F

#### Material

	Part	Material	Specification
1	Body	DZR Lead Free Brass	ASTM B927 C27453
2	End piece	DZR Lead Free Brass	ASTM B927 C27453
3	Ball	DZR Lead Free Brass / Cr plated	ASTM B927 C27453
4	Seat	PTFE	PTFE
5	Stem	DZR Lead Free Brass	ASTM B927 C27453
6	O-ring	NBR	NSF approved
7	Handle	Steel / Dacromet® plated	ASTM A36
8	Handle nut	Steel / Zn plated	ASTM A36



#### Dimension, Weight

Size	S [in]	A [in]	H [in]	L [in]	P [in]	C [in]	Wt. [lb]
5/8"	0.877-0.881	2.85	1.72	2.44	0.50	0.75	0.43

