

Feature

- 600# WOG
- DZR Brass body
- Full port
- Dual EzPress ends
- Chrome plated ball
- PTFE seats
- Blow-out proof stem
- Adjustable packing
- MSS-SP-110



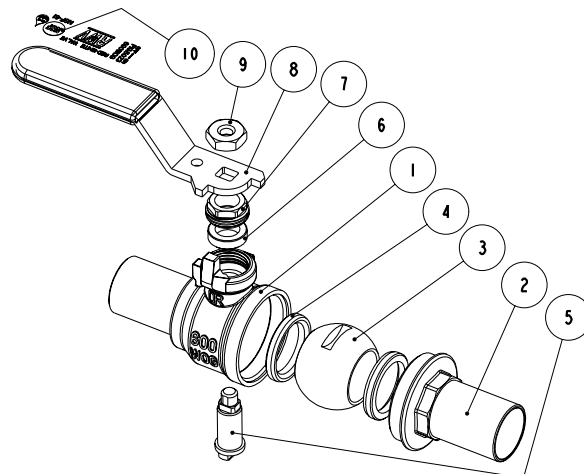
Meet BAA requirement



Pressure/ Temperature rating	
Valve body and stem	
Max. temperature	300 °F
Max. pressure at 200 °F	600 psi
Press connections	
Max. temperature & pressure	Dependent upon pipe fitting & O-ring types

Material

Part	Material	Specification
1 Body	DZR Brass	UNS C35330
2 End piece	DZR Brass	UNS C35330
3 Ball	Brass / Cr plated	ASTM B283 C37700
4 Seat	PTFE	PTFE
5 Stem	Brass	ASTM B124 C37700
6 Packing ring	PTFE	PTFE
7 Packing nut	Brass	ASTM B124 C37700
8 Handle	Steel / Geomet® plated	ASTM A36
9 Nut	Steel / Zn plated	ASTM A36
10 Valve info	-	-



Dimension, Weight

Size	Φ [in]	A [in]	C [in]	H [in]	L [in]	P [in]	Cv	Wt. [lb]
1/2"	0.622-0.626	3.21	0.98	2.13	3.60	0.59	15	0.44
3/4"	0.872-0.876	3.80	1.10	2.24	3.60	0.79	30	0.62
1"	1.122-1.127	4.02	1.10	2.56	5.00	0.98	60	0.98
1 1/4"	1.372-1.377	4.84	1.30	2.78	5.00	1.26	110	1.50
1 1/2"	1.621-1.627	6.18	1.73	3.27	5.59	1.58	130	2.30
2"	2.121-2.127	7.05	1.93	3.56	5.59	1.97	360	3.42

