



ECO-VALVE

# Figure # 5081AB

Low Lead Brass Mini Ball Valve (1/8")

## Product Features

- 150# WSP / 600# WOG
- Low Lead Brass Body
- Full Port
- FNPT x MNPT Ends
- O-Ring Packing
- Chrome Plated ball
- Blowout Proof Stem
- AB1953 Certified
- CSA Certified 1/2PSI for Natural Gas, Propane & LPG Service



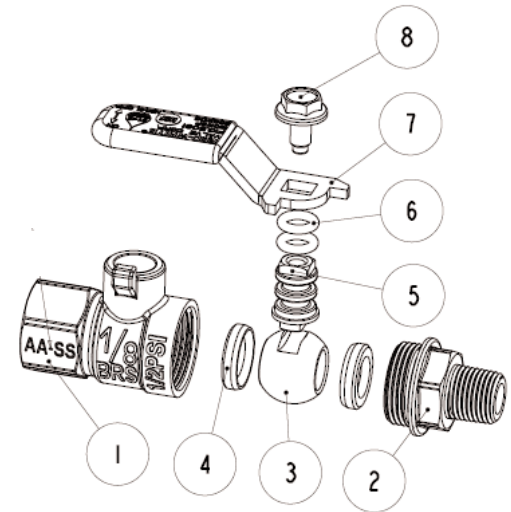
Certified to ANSI/NSF 61



Pressure/Temperature Ratings	
600 PSI from 15F to 160F	150 PSI MAX at 366F

## Materials & Specifications

Item	Description	Material	Specification
1	Body	Low Lead Brass	CW510L
2	End Piece	Low Lead Brass	CW510L
3	Ball	Low Lead Brass/Cr Plated	CW510L
4	Seat	PTFE	PTFE
5	Stem	Low Lead Brass	CW510L
6	O-Ring Packing	FKM	NSF Approved
7	Handle	Zinc plated steel	A36 Dacromet
8	Handle Bolt	Zinc plated steel	A36 Dacromet



## Dimensions, Weights (inches-lbs.) & Valve Data

Size	1/8
A	1.81
A1	.79
C	.45
C1	.37
H	1.09
L	1.61
Ø	1/8-27 FNPT
Ø1	1/8-27 MNPT
P	.31
P1	.24
Wt.- lbs.	.2

