



Figure # 5082S

Brass Mini Ball Valve (1/4 x 1/8")

Product Features

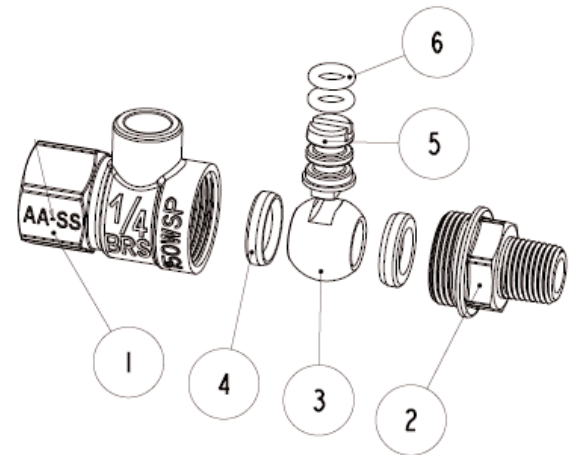
- 150# WSP / 600# WOG
- Brass Body
- Full Port
- 1/4" FNPT x 1/8" MNPT Ends
- O-Ring Packing
- Screwdriver Slot Operation
- Chrome Plated ball
- Blowout Proof Stem
- NSF 61 Certified



Pressure/Temperature Ratings	
600 PSI from 15F to 160F	150 PSI MAX at 366F

Materials & Specifications

Item	Description	Material	Specification
1	Body	Brass	B283 C37700
2	End Piece	Brass	B283 C37700
3	Ball	Brass/Chrome Plated	B283 C37700
4	Seat	PTFE	PTFE
5	Stem	Brass	B124 C37700
6	O-Ring Packing	FKM	NSF Approved



Dimensions, Weights (inches-lbs.) & Valve Data

Size	1/4 x 1/8
A	1.81
A1	.79
C	.45
C1	.37
H	.72
H1	.08
Ø	1/4-18 FNPT
Ø1	1/8-27 MNPT
P	.31
P1	.24
Wt.- lbs.	.15

