

## Lead Free Brass Full Port Relief Ball Valve Thermal Expansion Device

### Feature

- 600# WOG
- Lead free brass body
- Full port
- Adjustable packing
- FNPT x FNPT
- Threaded ends (ASME B1.20.1-NPT)
- Blow-out proof stem
- Chrome plated ball
- Virgin PTFE seats
- Integral relief valve port with Relief valve
- Relief valve set at 80, 100 or 125 psi
- Barbed outlet for drain routing (PEX F-1807)
- AB1953, NSF/ANSI 61 & 372 certified

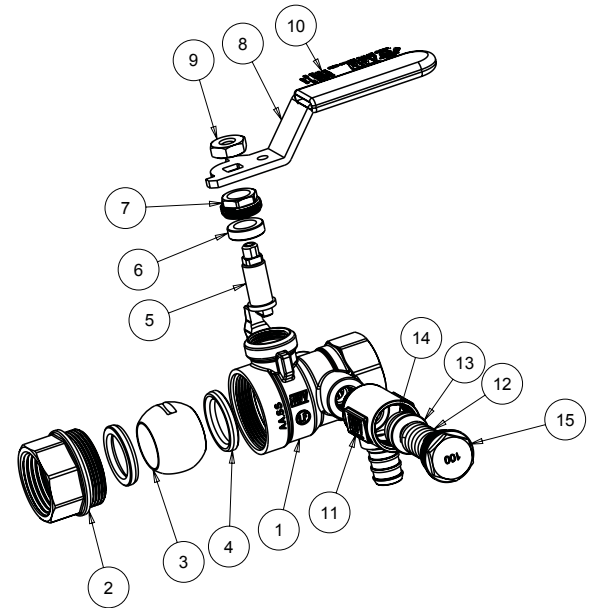


Meet BAA requirement

- 5094AB-C080** = Relief valve set at 80psi
- 5094AB-C100** = Relief valve set at 100psi
- 5094AB-C125** = Relief valve set at 125psi

### Material

	Part	Material	Specification
1	Body	Lead free brass	ASTM B927 C27450
2	End piece	Lead free brass	ASTM B927 C27450
3	Ball	Lead free brass / Cr plated	ASTM B927 C27450
4	Seat	PTFE	PTFE
5	Stem	Lead free brass	ASTM B927 C27450
6	Packing	PTFE	PTFE
7	Packing nut	Brass	ASTM B124 C37700
8	Handle	Steel / Geomet® plated	ASTM A36
9	Handle nut	Steel / Zn plated	ASTM A36
10	Valve info	-	-
11	Relief valve	Lead free brass	ASTM B927 C27450
12	Compression spring	Stainless steel	AISI 302
13	Disk	Brass	ASTM B124 C37700
14	Gasket	PTFE	PTFE
15	Ring nut	Brass	ASTM B124 C37700



### Dimension, Weight

	A	C	D	E	F	H	L	P	Wt.
	[in]	[in]	[in]	[in]	[in]	[in]	[in]	[in]	[lb]
3/4"	3.60	0.56	0.93	2.48	1.50	2.20	2.70	0.73	0.89

