

Feature

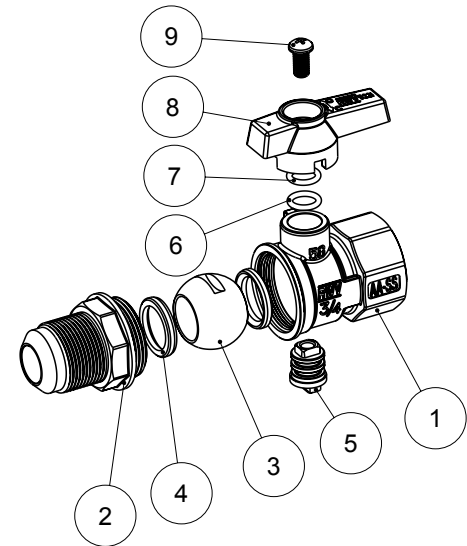
175# PSI
 2-piece brass body
 FNPT x Flared
 Threaded end (ASME B1.20.1-NPT)
 Chrome plated ball
 ANSI Z21.15
 CSA ½ & 5 psi
 CSA ΔC



5210 = 3/8" OD Flared x 1/2" FNPT
5211 = 1/2" OD Flared x 1/2" FNPT
5212 = 15/16" OD Flared x 1/2" FNPT
5221 = 15/16" OD Flared x 3/4" FNPT

Material

	Part	Material	Specification
1	Body	Brass	ASTM B283 C37700
2	End piece	Brass	ASTM B283 C37700
3	Ball	Brass / Cr plated	ASTM B124 C37700
4	Seat	PTFE	-
5	Stem	Brass	ASTM B124 C37700
6	O-ring	FKM	-
7	O-ring	HNBR 70SH	-
8	Handle	Aluminum	ASTM B85 A03840
9	Handle screw	Steel / Zn plated	ASTM A36



Dimension, Weight

Size	Fig. #	T1	T2	A	C1	C2	H	L	P1	P2	Wt.
				[in]	[in]	[in]	[in]	[in]	[in]	[in]	[lb]
1/2"	5210	5/8 - 18 UNF	1/2 - 14 NPT	2.27	0.62	0.59	1.27	1.18	0.28	0.39	0.30
1/2"	5211	3/4 - 16 UNF	1/2 - 14 NPT	2.40	0.75	0.59	1.27	1.18	0.41	0.39	0.32
1/2"	5212	15/16 - 16 UN	1/2 - 14 NPT	2.53	0.88	0.59	1.27	1.18	0.50	0.39	0.38
3/4"	5221	15/16 - 16 UN	3/4 - 14 NPT	2.79	0.88	0.63	1.45	1.18	0.50	0.59	0.52

