

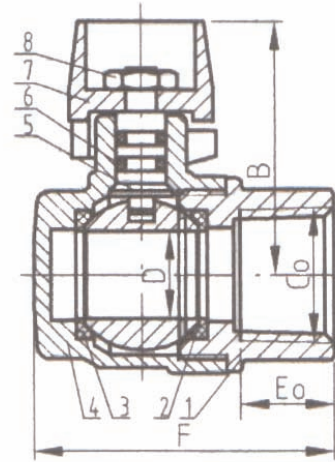
Product Features

- 175# PSI
- 2 Piece Angle Brass Body
- FNPT x Flare Ends
- 1/4 Turn Operation
- Positive Shutoff
- ANSI Z.21.15
- CSA Approved
- 3/8" = 1/2" FNPT x 3/8" Flare
- 1/2" = 1/2" FNPT x 1/2" Flare
- 3/4" = 3/4" FNPT x 15/16" Flare



Materials & Specifications

| Item | Description | Material | Specification |
|------|--------------|-----------------------|---------------|
| 1 | Body Cap | Forged Brass | B283-C37700 |
| 2 | Seat | PTFE | PTFE |
| 3 | Ball | Brass (Chrome Plated) | B283-C37700 |
| 4 | Body | Forged Brass | B283-C37700 |
| 5 | Stem | Brass Rod | B124-C37700 |
| 6 | Packing Ring | NBR O-Ring | NBR |
| 7 | Handle | Aluminum | B85 |
| 8 | Handle Nut | Brass Rod | B16-C36000 |



Dimensions & Weights (inches-lbs.)

| Size | 3/8 | 1/2 | 3/4 |
|------------|------|------|-----|
| A | 2 | 2 | 2 |
| B | 1.6 | 1.6 | 1.6 |
| D | .55 | .55 | .55 |
| E | .53 | .67 | .78 |
| F | 1.89 | 1.89 | 2 |
| Fo | 1.89 | 2 | 2.2 |
| Wt. (lbs.) | 1.3 | 1.4 | 1.6 |

