



Figure # 5581

Brass Male X Female Ball Valve (1/2"-2")

Product Features

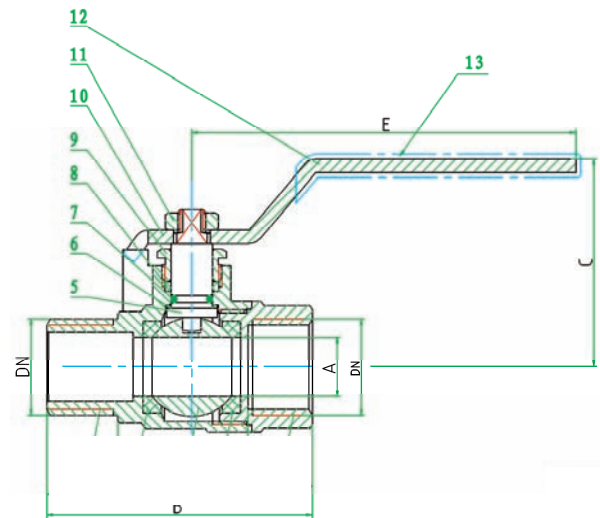
- 150#WSP / 600# WOG
- Forged Brass Body
- Full Port
- Adjustable Packing
- Male x Female Threaded Ends
- Blowout Proof Stem



Pressure/Temperature Ratings	
600 PSI from 15F to 160F	150 PSI MAX at 366F

Materials & Specifications

Item	Description	Material	Specification
1	Body	Brass	B283 C37700
2	Seat	PTFE	PTFE
3	Ball	Brass/Chrome Plated	B283 C37700
4	End Piece	Brass	B283 C37700
5	Stem	Brass	B124 C37700
6	Packing	PTFE	PTFE
7	O-ring	NBR	NBR
8	Packing	PTFE	PTFE
9	Packing Nut	Brass	B124 C37700
10	Handle	Steel	A36
11	Handle Nut	Steel	A36
12	Handle Sleeve	PVC	PVC



Dimensions, Weights (inches-lbs.) & Valve Data

Size	1/2	3/4	1	1-1/4	1-1/2	2
B	2.35	2.5	3	3.4	3.6	4.2
C	1.8	1.95	2.3	2.5	2.9	3.2
E	3.4	3.4	4.7	4.7	5.3	5.3
Cv	15	30	60	110	130	360
Wt.- lbs.	.47	.67	1.16	1.87	2.74	4.07

