

Feature

- 150# WSP / 600# WOG
- Lead free brass body
- Full port
- Adjustable packing
- FNPT x Hose end
- Threaded end (ASME B1.20.1-NPT)
- Male NH (ASME B1.20.7)
- Chrome plated ball
- Virgin PTFE seats
- MSS-SP-110
- Blow-out proof stem
- Drain cap with chain
- AB1953, NSF/ANSI 61 & 372 certified

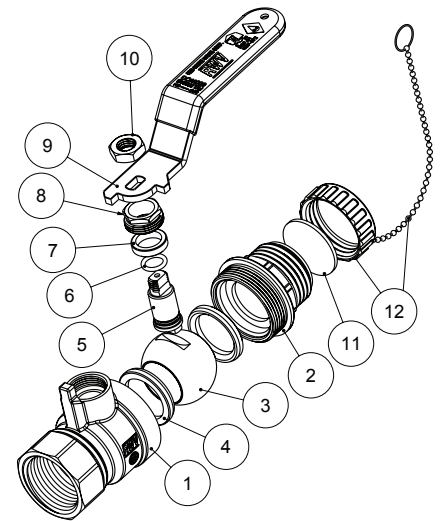


Pressure/ Temperature rating	
600 psi from 15 °F to 160 °F	150 psi max. at 366 °F

Material

	Part	Material	Specification
1	Body	Lead Free Brass	ASTM B927 C27450
2	End piece	Lead Free Brass	ASTM B927 C27450
3	Ball	Lead Free Brass / Cr plated	ASTM B927 C27450
4	Seat	PTFE	PTFE
5	Stem	Lead Free Brass	ASTM B927 C27450
6	O-ring	FKM	NSF approved
7	Packing ring	PTFE	PTFE
8	Packing nut	Brass	ASTM B124 C37700
9	Handle	Steel / Dacromet® plated	ASTM A36
10	Handle nut	Steel / Zn plated	ASTM A36
11	Gasket ¹	EPDM Perox	NSF approved
12	Drain cap + chain	Brass	ASTM B283 C37700

¹ Not suitable for temperature above 200 °F



Dimension, Cv, Weight

Size	TF	TM	A [in]	B [in]	C [in]	H [in]	L [in]	P [in]	Cv	Wt. [lb]
3/4"	3/4 - 14 NPT	3/4 - 11.5 NH	2.90	0.51	0.63	2.05	3.58	0.73	26	0.64

