

**Feature**

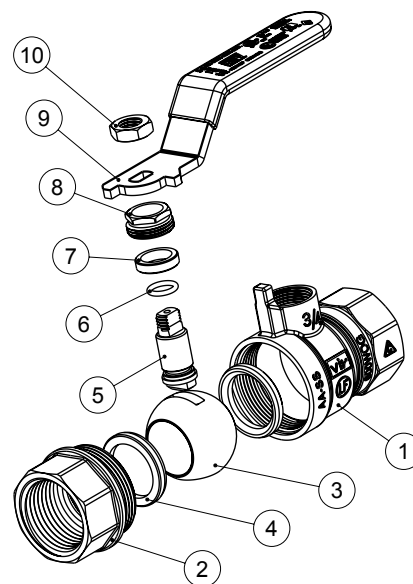
- 150# WSP / 600# WOG
- Lead free brass body
- Full port
- Adjustable packing
- FNPT x FNPT
- Threaded ends (ASME B1.20.1-NPT)
- Blow-out proof stem
- Virgin PTFE seats
- MSS-SP-110
- CSA 1/2, 5 & 125 psi
- CSA ΔC
- UL approved
- AB1953, NSF/ANSI 61 & 372 certified



Pressure/ Temperature rating	
600 psi from 15 °F to 160 °F	150 psi max. at 366 °F

**Material**

Part	Material	Specification
1 Body	Lead Free Brass	ASTM B927 C27450
2 End piece	Lead Free Brass	ASTM B927 C27450
3 Ball	Lead Free Brass / Cr plated	ASTM B927 C27450
4 Seat	PTFE	PTFE
5 Stem	Lead Free Brass	ASTM B927 C27450
6 O-ring	FKM	NSF approved
7 Packing nut	PTFE	PTFE
8 Packing nut	Brass	ASTM B124 C37700
9 Handle	Stainless Steel	AISI 304
10 Handle nut	Stainless Steel	AISI 304



**Dimension, Cv, Weight**

	Φ	A [in]	C [in]	H [in]	L [in]	P [in]	Cv	Wt. [lb]
3/4"	3/4 - 14 NPT	2.40	0.63	2.05	3.58	0.73	26	0.59
1"	1 - 11.5 NPT	2.91	0.75	2.36	4.96	0.95	55	1.13

