

Feature

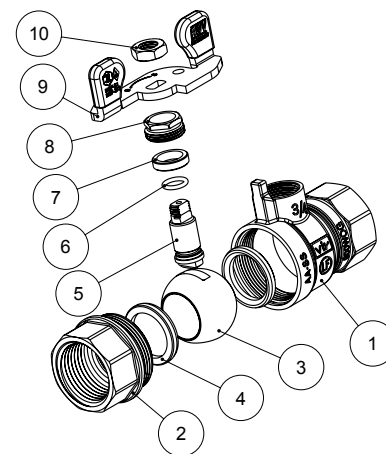
- 150# WSP / 600# WOG
- Lead Free Brass Body
- Full Port
- Adjustable Packing
- Threaded Ends
- Blow-Out Proof Stem
- CSA 1/2 psi
- UL approved
- AB1953, NSF/ANSI 61 & 372 certified



Pressure/ Temperature rating	
600 psi from 15 °F to 160 °F	150 psi max. at 366 °F

Material

	Part	Material	Specification
1	Body	Lead Free Brass	C28000
2	End piece	Lead Free Brass	C28000
3	Ball	Lead Free Brass / Cr plated	C28000
4	Seat	PTFE	PTFE
5	Stem	Lead Free Brass	C28000
6	O-ring	FKM	NSF approved
7	Packing	PTFE	PTFE
8	Packing nut	Brass	B124 C37700
9	Wing handle	Steel / Dc plated	A36 Dacromet
10	Handle nut	Steel / Zn plated	A36



Dimension

Size	T	A	C	H	L	P	Cv	Wt. L
		[in]	[in]	[in]	[in]	[in]		[lb]
1/2"	1/2-14NPT	2.17	0.61	1.93	2.44	0.50	11	0.39
3/4"	3/4-14NPT	2.40	0.63	2.05	2.44	0.73	26	0.53
1"	1-11.5NPT	2.91	0.75	2.52	3.27	0.95	55	0.88

