



Figure # 5800

Flange Ball Valve (2"-6")

Product Features

- 125# WSP
- 200# WOG
- A126 Class B Cast Iron Body with FDA food-grade epoxy powder coat
- Solid Cast Iron PTFE Coated Ball
- Blow-out Proof stainless steel stem
- FED SPEC. WW-V-35
- ISO 5211 Mounting Pad
- MSS-SP-72
- Max Temp. 353°F
- ANSI B16.10



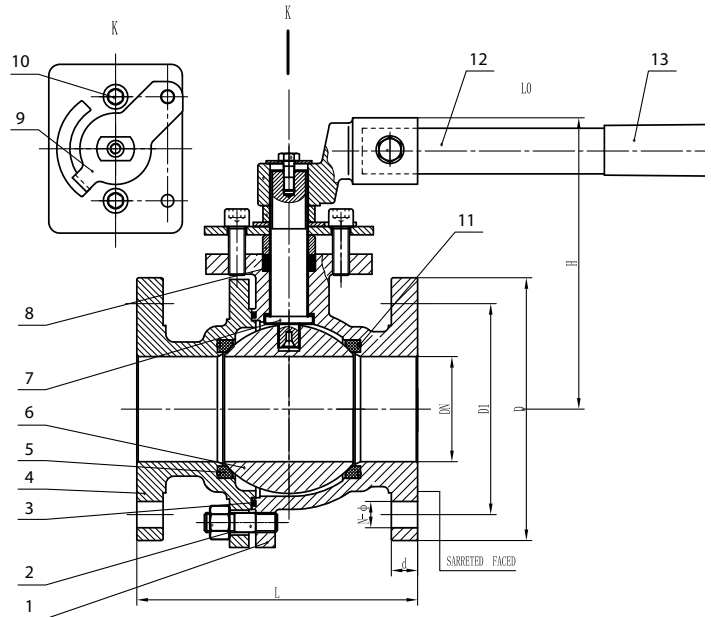
Materials & Specifications

Item	Description	Material	Specification
1	Body	Cast Iron	A126 Class B
2	Body Stud	Carbon Steel	A 193 B7
3	Body Gasket	PTFE	PTFE
4	Cap	Cast Iron	A126 Class B
5	Seat Rings	RPTFE	RPTFE
6	Ball	Cast Iron/PTFE Coated	
7	Stem	Stainless Steel	A276 410
8	Packing	PTFE	PTFE
9	Stem Indicator	Steel	Steel
10	Gland Stud	Carbon Steel	Carbon Steel
11	Seat O-Ring	PTFE	PTFE
12	Handle	Steel	Steel
13	Handle Grip	Vinyl Rubber	Vinyl Rubber

Dimensions, Weights (inches-lbs.) & Valve Data

Size	2	2-1/2	3	4	6
L	7.00	7.50	8.00	9.00	10.50
D	6.00	7.00	7.50	9.00	11.00
D1	4.75	5.50	6.00	7.50	9.50
d	0.63	0.69	0.75	0.94	1.00
N-o	4-0.75	4-0.75	4-0.75	8-0.75	8-0.75
H	6.04	7.86	8.19	9.20	12.81
LO	12.00	13.50	13.50	13.75	30.00
Wt. Lever	25	36	48	77	138
Wt. Gear	36	41	53	82	145
Cv	500	750	1245	2500	5470
Torque (ft.lbs)	35	48	62	130	260

* Torque values shown are for reference only.
Factors such as line pressure, temp, fluid, and cycles will vary the actual torque value.



RED-WHITE VALVE CORP.

20600 Regency Lane, Lake Forest, CA 92630

TEL: 949.859.1010 • FAX: 949.859.7200 • www.redwhitevalvecorp.com