



Figure # 9107

Steam Radiator Gate Valve
(1/2" - 1-1/2")

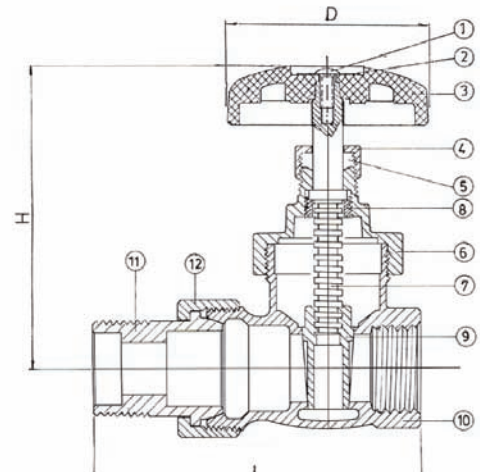
Product Features

- 125# WSP
- 200# WOG
- Bronze Body & Disc
- Screw over Bonnet
- FIP x Male Union Ends
- Phenolic Handwheel



Materials & Specifications

Item	Description	Material	Specification
1	Handle Bolt	Steel	SAE 1010R
2	Tag	Aluminum	A1100
3	Handwheel	Phenolic	
4	Packing Nut	Brass	B124 C37700
5	Packing	PTFE Polyflon	M-392
6	Bonnet	Bronze	B584 C84400
7	Stem	Brass	B124 C37700
8	Lock Nut	Brass	B124 C37700
9	Disc	Bronze	B584 C84400
10	Body	Bronze	B584 C84400
11	Union Nipple	Bronze	B584 C84400
12	Union Nut	Bronze	B584 C84400



Dimensions & Weights (inches-lbs.)

Size	1/2	3/4	1	1-1/4	1-1/2
D	2.17	2.17	2.17	2.17	2.17
H	2.99	3.59	4.04	4.76	5.49
L	3	3.52	3.98	4.45	4.84
Wt. (lbs.)	.8	1.15	2.03	2.38	3

