



Figure # 9109
 Steam Convactor Valve
 (1" - 1-1/4")

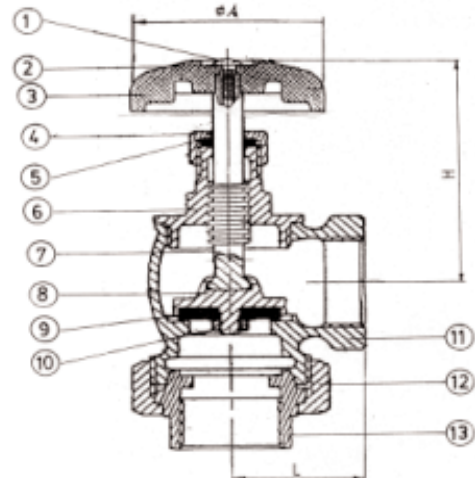
Product Features

- 15# WSP
- 60# WOG
- Bronze Angle Style Body
- EPDM Disc
- FIP x Female Union Ends
- Phenolic Handwheel



Materials & Specifications

Item	Description	Material	Specification
1	Handle Bolt	Steel	SAE 1010R
2	Tag	Aluminum	A1100
3	Handwheel	Phenolic	
4	Packing Nut	Brass	B124 C37700
5	Packing	PTFE Polyflon	M-392
6	Bonnet	Bronze	B584 C84400
7	Stem	Brass	B124 C37700
8	Seat Holder	Bronze	B584 C84400
9	Seat Packing	NBR	SAE # 1052
10	Seat Nut	Brass	B124 C37700
11	Body	Bronze	B584 C84400
12	Union Nut	Bronze	B584 C84400
13	Union Nipple	Bronze	B584 C84400



Dimensions & Weights (inches-lbs.)

Size	1	1-1/4
D	2.3	2.3
H	2.87	3.47
L	1.62	1.76
Wt. (lbs.)	1.8	2.6

