



# Figure # 9125 / 9127

Radiator Straight Circulator  
(1/2" - 3/4")

## Product Features

- Bronze Construction
- 80# WOG
- FIP x Male Union (9125)
- Solder x Male Union (9127) Shown
- 1/4 Turn operation
- For Radiator Applications



## Materials & Specifications

Item	Description	Material	Specification
1	Body	Brass	B124 C37700
2	Body End	Brass	B124 C37700
3	Union Nut	Brass	B124 C37700
4	TailPiece	Brass	B124 C37700
5	Ball	Brass	B124 C36000
6	Stem	Brass	B124 C36000
7	Packing Gland	Brass	B124 C36000
8	Seats	PTFE	
9	Packing	PTFE	
10	Handwheel	Phenolic	
11	Handwheel Screw	Brass	

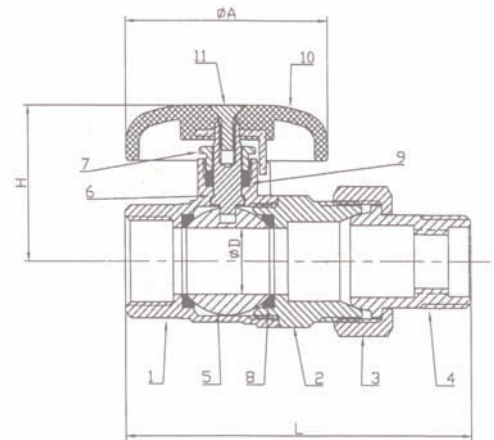


Fig. # 9125

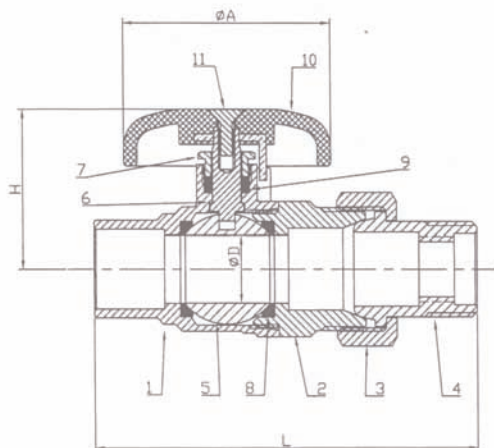


Fig. # 9127

## Dimensions & Weights 9125 (FIP) (inches-lbs.)

Size	1/2	3/4
A	2.28	2.28
D	.59	.75
H	1.57	1.69
L	3.46	3.89
Wt. (lbs.)	.66	1.05

## Dimensions & Weights 9127 (Solder) (inches-lbs.)

Size	1/2	3/4
A	2.28	2.28
D	.59	.75
H	1.57	1.69
L	3.54	4.13
Wt. (lbs.)	.66	1.05

