



Figure # 9126 / 9128

Radiator Slot Balancing Valve
(1/2" - 3/4")

Product Features

- Bronze Construction
- 150# WSP 400# WOG
- FIP x Male Union (9126) Shown
- Solder x Male Union (9128)
- 1/4 Turn operation
- Screwdriver Slot Stem
- For Radiator Applications



Materials & Specifications

Item	Description	Material	Specification
1	Body	Brass	B124 C37700
2	Body End	Brass	B124 C37700
3	Union Nut	Brass	B124 C37700
4	TailPiece	Brass	B124 C37700
5	Ball	Brass	B124 C36000
6	Stem	SS	304 Stainless
7	Packing Gland	Brass	B124 C36000
8	Seats	PTFE	
9	Packing	PTFE	

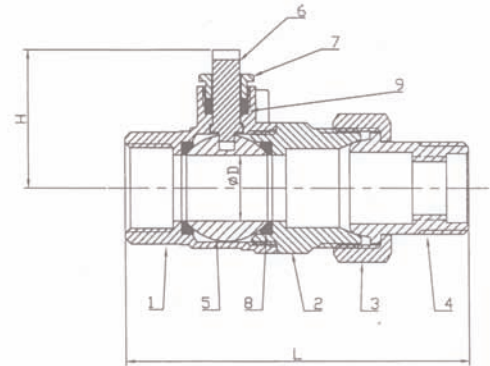


Fig. # 9126

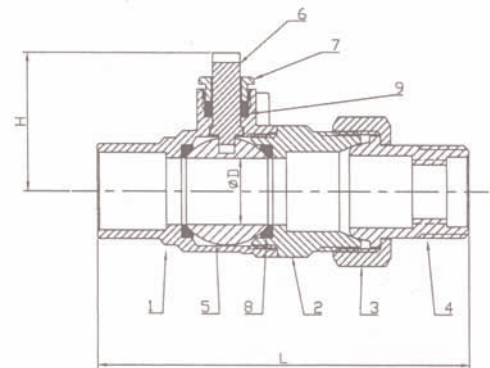


Fig. # 9128

Dimensions & Weights 9126 (FIP) (inches-lbs.)

Size	1/2	3/4
D	.59	.75
H	1.45	1.57
L	3.46	3.89
Wt. (lbs.)	.63	1.03

Dimensions & Weights 9128 (Solder) (inches-lbs.)

Size	1/2	3/4
D	.59	.75
H	1.45	1.57
L	3.54	4.13
Wt. (lbs.)	.63	1.03

