

DZR Brass Full Port Combination Strainer with Bypass Port

Feature

- DZR brass ball valve - wye strainer combination
- 1 tapped 1/2" port for bypass
- Blow-out proof stem
- Adjustable packing nut
- Full port
- Y pattern strainer
- Stainless steel strainer (20 mesh)
- Blow down valve with 3/4" hose end
- 1 installed test point
- 1 additional tapped 1/4" port



Threaded end (ASME B1.20.1 - NPT) with union end
 FNPT tailpiece standard, MNPT, Solder and Press tailpiece options available

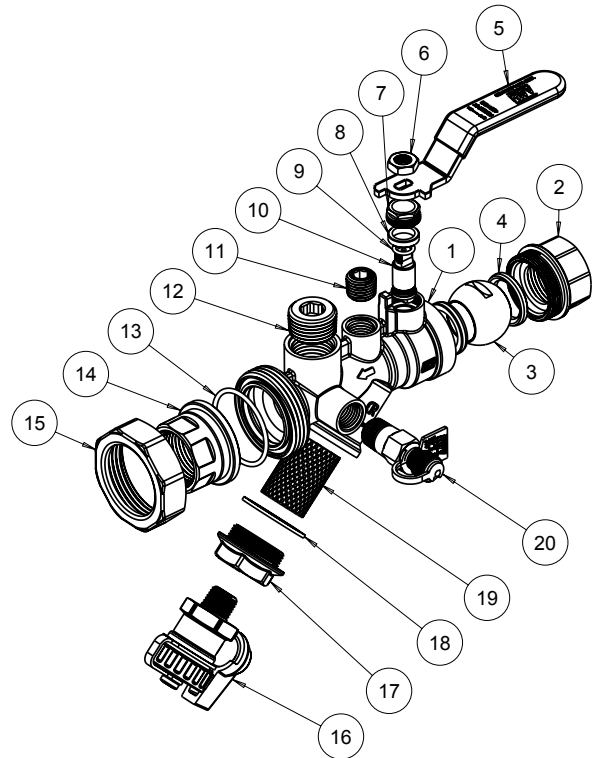
400WOG @ 160°F

Working conditions:

- Water: from 15°F to 260°F
- below 32°F only for water with added antifreezing fluids
- over 212°F only for water with added anti-boiling fluids

Material

	Part	Material	Specification
1	Body	DZR Brass	UNS C35330
2	Fixed-end	DZR Brass	UNS C35330
3	Ball	DZR Brass/Cr plated	UNS C35330
4	Seat	PTFE	-
5	Handle	Steel / Dc plated	ASTM A36
6	Nut	Steel /Zn plated	ASTM A36
7	Packing nut	Brass	ASTM C37700
8	Packing ring	PTFE	-
9	O-ring	EPDM Perox	NSF approved
10	Stem	DZR Brass	UNS C35330
11	Plug 1/4"	DZR Brass	UNS C35330
12	Plug 1/2"	DZR Brass	UNS C35330
13	O-ring	EPDM Perox	NSF approved
14	Tailpiece	DZR Brass	UNS C35330
15	Union nut	Brass	ASTM C37700
16	Ball valve	DZR Brass	UNS C35330
17	Cap	DZR Brass	UNS C35330
18	Gasket	PTFE	-
19	Strainer	Stainless steel	AISI 304
20	Pressure tap	DZR Brass	UNS C35330



Dimension, Cv, Weight

Size	A	B	H1	H2	W	L	Cv	Weight
	[in]	[in]	[in]	[in]	[in]	[in]		[lb]
1/2"	7.43	2.36	1.93	3.23	4.92	3.59	4.7	1.52
3/4"	7.67	2.48	2.07	3.28	5.28	3.59	9.5	1.88

