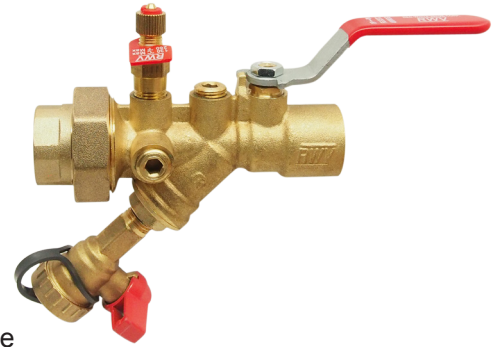


Feature

- DZR brass ball valve - wye strainer combination
- Blow-out proof stem
- Adjustable packing nut
- Y pattern strainer
- Stainless steel strainer (20 mesh)
- Blow down valve with 3/4" hose end
- 1 installed test point
- 2 additional tapped 1/4" ports



Available in the following versions:

- 92STC --- Threaded end (ASME B1.20.1 - NPT) with union end, FNPT tailpiece
- 92SSC --- Solder end (ASME B16.22) with union end, Solder tailpiece

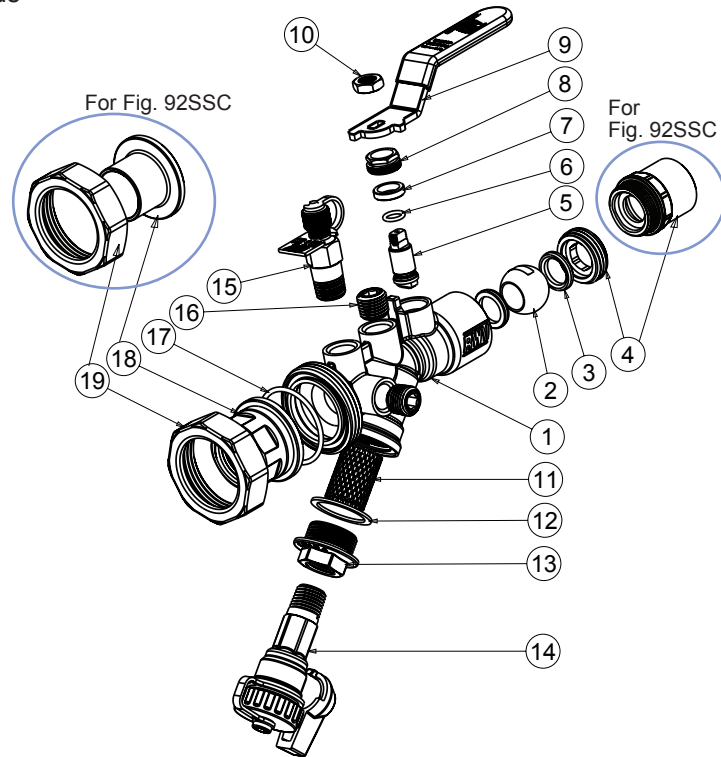
400WOG @ 160°F

Working conditions:

- Water: from 15°F to 260°F
- below 32°F only for water with added antifreezing fluids
- over 212°F only for water with added anti-boiling fluids

Material

	Part	Material	Specification
1	Body	DZR Brass	UNS C35330
2	Ball	DZR Brass/Cr plated	UNS C35330
3	Seat	PTFE	-
4	Retainer (92STC) Fixed-end (92SSC)	DZR Brass	UNS C35330
5	Stem	DZR Brass	UNS C35330
6	O-ring	EPDM Perox	NSF approved
7	Packing ring	PTFE	-
8	Packing nut	Brass	-
9	Handle	Steel / Dc plated	ASTM A36
10	Nut	Steel / Zn plated	ASTM A36
11	Strainer	Stainless steel	-
12	Gasket	PTFE	-
13	Cap	DZR Brass	UNS C35330
14	Ball valve	DZR Brass	UNS C35330
15	Pressure tap	DZR Brass	UNS C35330
16	Plug	DZR Brass	UNS C35330
17	O-ring	EPDM Perox	NSF approved
18	Tailpiece	DZR Brass	UNS C35330
19	Union nut	Brass	ASTM C37700



Dimension, Cv, Weight

Size	A ¹ [in]	L [in]	H1 [in]	H2 [in]	Cv	Weight ¹ [lb]
1/2"	4.60/4.30	3.19	1.54	3.66	2.8	1.28/1.17
3/4"	4.87/5.17	3.58	1.93	3.74	4.8	1.58/1.50
1"	5.20	3.58	1.99	3.74	7.5	1.87
1 1/4"	5.51	3.58	2.13	3.82	12.4	2.36
1 1/2"	6.10	4.97	2.35	4.10	22.6	3.03
2"	7.28	4.97	2.59	4.60	34.5	4.50

¹ Threaded ends / Solder ends (*Solder ends available up to 3/4")

