

Lead Free Ductile Iron Lug Style Butterfly Valve

Feature

- 200 PSI
- Lug style
- Ductile iron body
- Cartridge seat
- Working conditions: from 5°F to 250°F
- ISO 5211 mounting flange
- MSS-SP-67
- Suitable for bi-directional and dead service
- AB1953, NSF/ANSI 61 & 372 certified



Topworks:

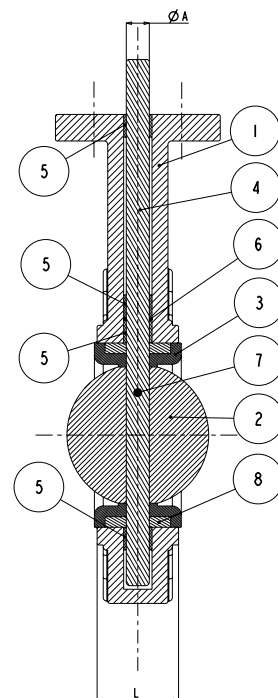
- 938BESLAB -- L = Lever
- 938BESGAB -- G = Gear
- 938BESXAB -- X = Bare stem

Material

	Part	Material	Specification
1	Body	Ductile iron	ASTM A536
2	Disc	Lead Free Alum. Bronze	ASTM C95400
3	Seat	EPDM	-
4	Stem	Stainless Steel	410 SS
5	Bushings	PTFE	-
6	O-ring	EPDM	-
7	Taper pin	Stainless Steel	316 SS
8	Seat support	Plastic	-

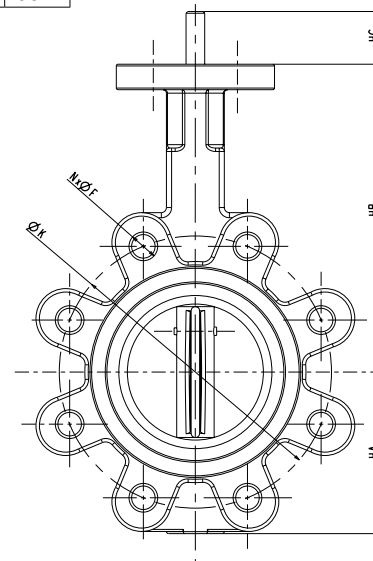
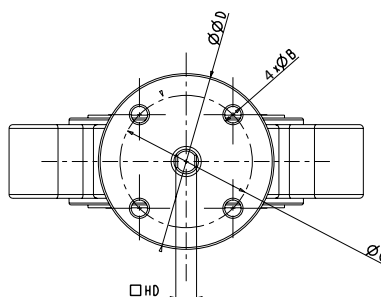
Dimension, Weight

Size	HA [in]	HB [in]	HC [in]	L [in]	N	ΦF [in]	ΦK [in]	ΦD [in]	ΦA [in]	HD [in]	ΦB [in]	ΦC [in]	ISO 5211	Wt. L [lb]	Wt. G [lb]	Wt. X [lb]
2"	3.15	6.34	1.10	1.69	4	5/8	4.75	3.54	0.50	0.39	0.39	2.76	F07	10.0	18.2	8.8
2½"	3.50	6.89	1.10	1.81	4	5/8	5.50	3.54	0.50	0.39	0.39	2.76	F07	11.8	19.4	10.6
3"	3.74	7.13	1.10	1.81	4	5/8	6.00	3.54	0.50	0.39	0.39	2.76	F07	12.0	19.8	10.8
4"	4.49	7.87	1.10	2.05	8	5/8	7.50	3.54	0.62	0.47	0.39	2.76	F07	18.0	25.8	16.8
5"	5.00	8.39	1.10	2.20	8	3/4	8.50	3.54	0.74	0.55	0.39	2.76	F07	22.4	29.8	21.2
6"	5.47	8.90	1.10	2.20	8	3/4	9.50	3.54	0.74	0.55	0.39	2.76	F07	26.2	33.2	25.0
8"	6.89	10.24	1.58	2.36	8	3/4	11.75	4.92	0.87	0.670	0.47	4.02	F10	41.6	58.5	38.8
10"	7.99	11.50	1.58	2.68	12	7/8	14.25	4.92	1.12	0.87	0.47	4.02	F10	64.0	74.5	61.2
12"	9.53	13.27	1.58	3.07	12	7/8	17.00	5.91	1.24	0.95	0.47	4.92	F12	101	120	98.2



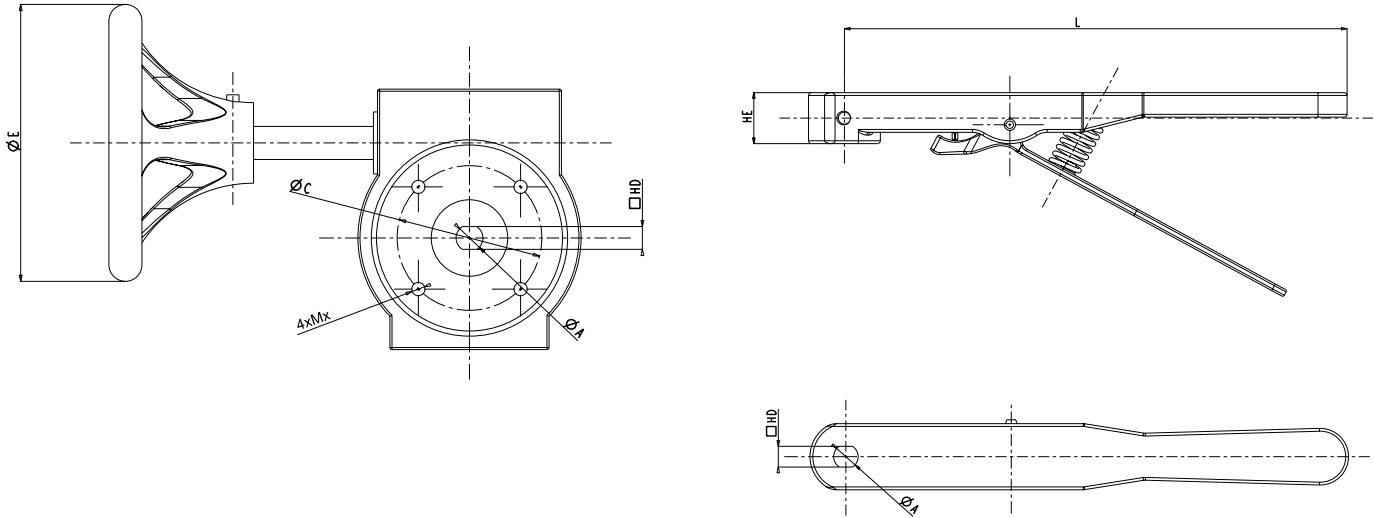
Seating torques

psi	50	100	150	200
Size	[in-lb]	[in-lb]	[in-lb]	[in-lb]
2"	123	131	137	144
2½"	169	184	199	213
3"	215	229	242	254
4"	316	351	388	424
5"	423	481	540	598
6"	585	675	765	854
8"	1077	1203	1329	1454
10"	1539	1724	1910	2096
12"	2540	2764	2990	3214



All torque values shown are for wet (water and other non-lubricating media) on-off service. For dry services (dry gas, etc.) multiply values by 1.15. For lubed service (clean, non-abrasive lubricating media) multiply values by 0.85. These values do not include a safety factor. An appropriate safety factor should be used when sizing any actuator.

Lead Free Ductile Iron Lug Style Butterfly Valve



Dimension, Cv

	ΦA [in]	ΦC [in]	HD [in]	HE [in]	ΦE [in]	L [in]	Mx [in]
2"	0.50	2.76	0.39	1.06	5.91	10.51	M8
2½"	0.50	2.76	0.39	1.06	5.91	10.51	M8
3"	0.50	2.76	0.39	1.06	5.91	10.51	M8
4"	0.62	2.76	0.47	1.06	5.91	10.51	M8
5"	0.74	2.76	0.55	1.06	5.91	10.51	M8
6"	0.74	2.76	0.55	1.06	5.91	10.51	M8
8"	0.87	4.02	0.670	1.22	11.42	14.13	M10
10"	1.12	4.02	0.87	1.22	11.42	14.13	M10
12"	1.24	4.92	0.95	1.22	11.42	14.13	M10

Degrees Open Size	10°	20°	30°	40°	50°	60°	70°	80°	90°
2"	0.06	3	7	15	27	44	70	105	115
2½"	0.1	6	12	25	45	75	119	178	196
3"	0.2	9	18	39	70	116	183	275	302
4"	0.3	17	36	78	139	230	364	546	600
5"	0.5	29	61	133	237	392	620	930	1022
6"	0.8	34	94	153	257	422	706	1154	1320
8"	2	56	154	251	422	693	1158	1892	2165
10"	3	87	238	385	654	1073	1794	2931	3353
12"	4	153	417	681	1145	1890	3142	5132	5827

Fitting RWV actuator

	Electric ON/OFF 110VAC	Electric ON/OFF 24VDC	Electric Modulating 110VAC	Electric Modulating 24VDC	Pneumatic * Double acting	Pneumatic * Spring return
2"	CUTAQ05-02-120-3PT-0	CUTAQ05-02-024-3PT-0	CUTAQ05-02-120-MOD-0	CUTAQ05-02-024-MOD-0	HOVER-02-DA-0	HOVER-02-SR-0
2½"	CUTAQ05-02-120-3PT-0	CUTAQ05-02-024-3PT-0	CUTAQ05-02-120-MOD-0	CUTAQ05-02-024-MOD-0	HOVER-02-DA-0	HOVER-02-SR-0
3"	CUTAQ05-02-120-3PT-0	CUTAQ05-02-024-3PT-0	CUTAQ05-02-120-MOD-0	CUTAQ05-02-024-MOD-0	HOVER-02-DA-0	HOVER-03-SR-0
4"	CUTAQ10-04-120-3PT-0	CUTAQ10-04-024-3PT-0	CUTAQ10-04-120-MOD-0	CUTAQ10-04-024-MOD-0	HOVER-04-DA-0	HOVER-04-SR-0
5"	CUTAQ10-05-120-3PT-0	CUTAQ10-05-024-3PT-0	CUTAQ10-05-120-MOD-0	CUTAQ10-05-024-MOD-0	HOVER-05-DA-0	HOVER-05-SR-0
6"	CUTAQ15-06-120-3PT-0	CUTAQ15-06-024-3PT-0	CUTAQ15-06-120-MOD-0	CUTAQ15-06-024-MOD-0	HOVER-05-DA-0	HOVER-05-SR-0
8"	CUTAQ30-08-120-3PT-0	CUTAQ30-08-024-3PT-0	CUTAQ30-08-120-MOD-0	CUTAQ30-08-024-MOD-0	HOVER-08-DA-0	HOVER-08-SR-0
10"	CUTAQ50-10-120-3PT-0	CUTAQ50-10-024-3PT-0	CUTAQ50-10-120-MOD-0	CUTAQ50-10-024-MOD-0	HOVER-10-DA-0	HOVER-10-SR-0
12"	CUTAQ50-12-120-3PT-0	CUTAQ50-12-024-3PT-0	CUTAQ50-12-120-MOD-0	CUTAQ50-12-024-MOD-0	HOVER-12-DA-0	HOVER-12-SR-0

\* Pneumatic actuators sized based on a 80psi air supply