

Feature

Designed for domestic hot water recirculation
 DZR lead free brass body / Sn/Ni galvanically plated
 Temperature activated internal flow cartridge
 Cartridge shutter will reach the open position 8°F below the fully closed temperature
 Wide range of temperature setting
 Double union body for easy installation and maintenance
 FNPT, Solder, EzPress and PEX available for tailpieces

- FNPT: ANSI/ASME B1.20.1
- Solder: ANSI B16.22
- EzPress: ASTM B88
- PEX: ASTM F1960

Meet BAA requirement

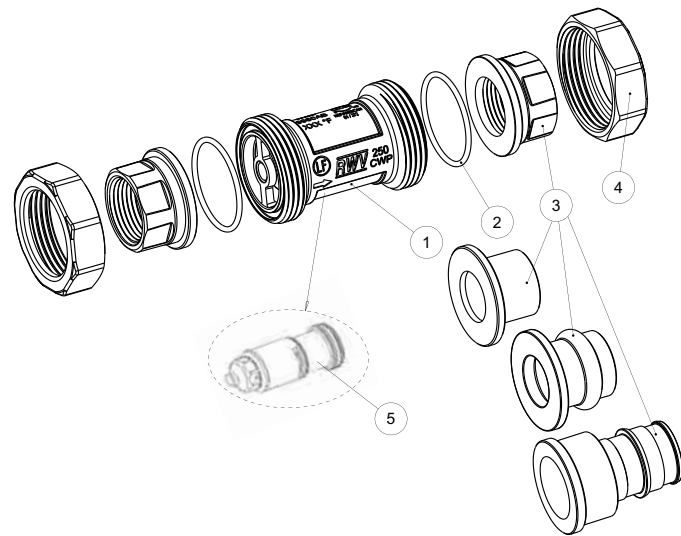
250 CWP valve body rating

Working conditions
 Water: 32°F - 200°F



Material

	Part	Material	Specification
1	Body	DZR Lead Free Brass	ASTM B927 C27453
2	O-ring	EPDM Perox	NSF approved
3	Tailpiece	Lead Free DZR Brass	ASTM B927 C27453
4	Union nut	Brass	ASTM B283 C37700
5	Cartridge	Lead Free Brass + S.S.	ASTM B927 C27450 + AISI 301



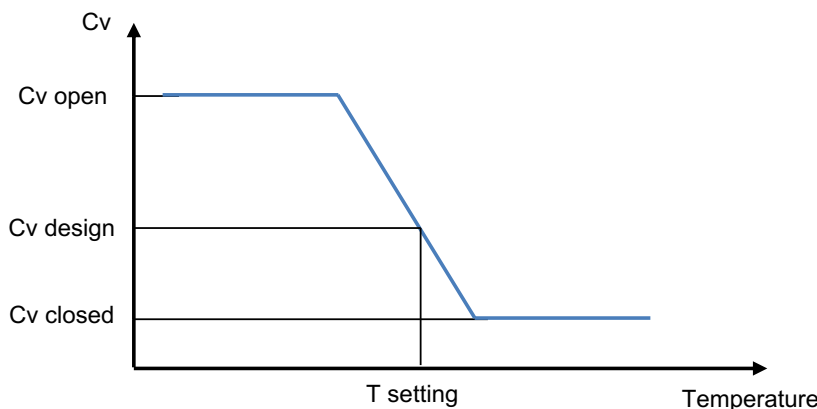
Temperature setting

Factory Preset Temperature				
115 °F	120 °F	130 °F	140 °F	150 °F

* Cartridge shutter will close 2°F above the nominal temperature

Valve Regulation Data

Valves are available in different ranges of setting temperature. The Cv value of the valve changes with the temperature variation according to the following graph and table:



Size	Cv open [GPM/psi ^{0.5}]	Cv design [GPM/psi ^{0.5}]	Cv closed ¹ [GPM/psi ^{0.5}]
½"	1.50	0.58	0.13
¾"	2.00	0.81	0.18
1"	3.80	1.50	0.28

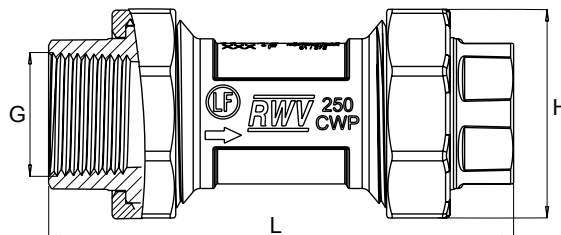
¹ Valve never fully closes. There will always be a bypass flow to avoid pump deadheading and to guarantee correct thermal actuator sensitivity.

T setting: 115, 120, 130, 140, 150 F° (laser marked on the body)

Dimension, Weight

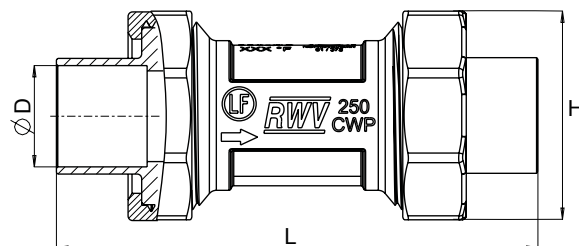
9960ABT-FF

Size	G	H [in]	L [in]	Wt. [lb]
1/2"	1/2 - 14 NPT	1.46	3.82	0.88
3/4"	3/4 - 14 NPT	1.81	4.03	1.27
1"	1 - 11.5 NPT	2.05	4.46	1.74



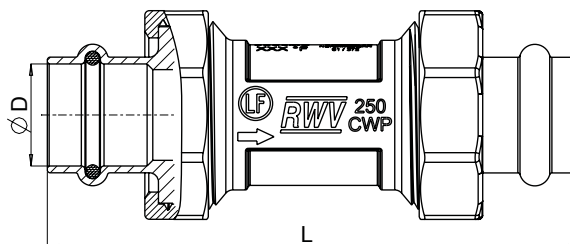
9960ABT-SS

Size	ΦD	H [in]	L [in]	Wt. [lb]
1/2"	0.627-0.631	1.46	3.45	0.76
3/4"	0.877-0.881	1.81	4.18	1.16
1"	1.128-1.131	2.05	5.02	1.66



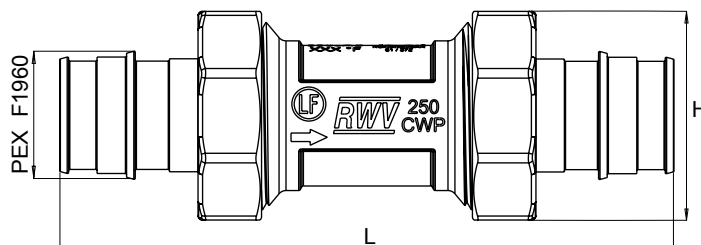
9960ABT-PP

Size	ΦD	H [in]	L [in]	Wt. [lb]
1/2"	0.64	1.46	4.45	0.83
3/4"	0.89	1.81	4.63	1.22
1"	1.14	2.05	4.92	1.59



9960ABT-EE

Size	PEX F1960	H [in]	L [in]	Wt. [lb]
1/2"	1/2" PEX F1960	1.46	4.85	0.87
3/4"	3/4" PEX F1960	1.81	5.50	1.28
1"	1" PEX F1960	2.05	6.18	1.79



Note: Valve tailpieces will be identified on the packaging according to order type. (FF, SS, PP, EE)

Installation

The valve must be installed with the flow matching the arrow marked on the valve body. Use at least one strainer for each installation

