

**Feature**

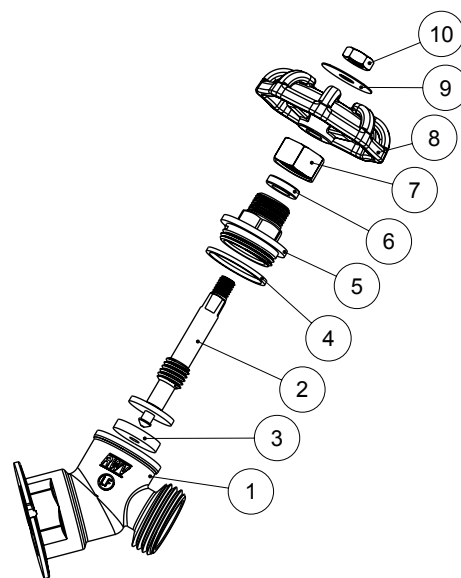
- 125# CWP
- Lead free brass body
- No-Kink spout
- FNPT X Hose
- Threaded end (ASME B1.20.1-NPT)
- AB1953, NSF/ANSI 61 & 372 certified



Pressure/ Temperature Rating	
125 CWP	180 °F max. temperature

**Material**

	Part	Material	Specification
1	Body	Lead Free Brass	ASTM B927 C27450
2	Stem	Lead Free Brass	ASTM B927 C27450
3	Seat gasket	NBR 70SH	NSF approved
4	Bonnet gasket	PTFE	-
5	Bonnet	Lead Free Brass	ASTM B927 C27450
6	Packing ring	PTFE	-
7	Packing nut	Brass	ASTM B124 C37700
8	Handwheel	Steel	-
9	Disc	Aluminum	-
10	Nut	Steel / Zn plated	ASTMA36



**Dimension**

	T	F	A	C	H	B	P	D	Wt.
			[in]	[in]	[in]	[in]	[in]	[in]	[lb]
1/2"	1/2 - 14NPT	3/4 11.5NH	3.41	0.61	3.35	2.09	0.51	0.47	0.45
3/4"	3/4 - 14NPT	3/4 11.5NH	3.45	0.63	3.35	2.09	0.51	0.47	0.53

