

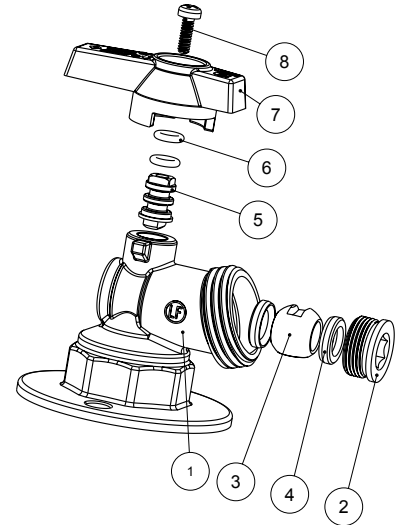
Feature

- 125# CWP
- Lead free brass body
- FNPT x Hose
- Threaded end (ASME B1.20.1-NPT)
- Quarter turn
- Larger flanged design for improved stability & durability
- AB1953, NSF/ANSI 61 & 372 certified



Material

	Part	Material	Specification
1	Body	Lead Free Brass	ASTM B927 C27450
2	Seat retainer	Lead Free Brass	ASTM B927 C27450
3	Ball	Lead Free Brass / Cr plated	ASTM B927 C27450
4	Seat	PTFE	PTFE
5	Stem	Lead Free Brass	ASTM B927 C27450
6	O-ring	NBR 70SH	NSF Approved
7	Handle	Aluminium	ASTM B85
8	Screw	Steel / Zn plated	ASTM A36



Dimension, Weight

	T1	T2	WR	A	H	H1	L	C1	C2	ΦP	ΦP1	ΦD	ΦD1	ΦD2	R°	Wt.
	[in]	[in]	[in]	[in]	[in]	[in]	[in]	[in]	[in]	[in]	[in]	[in]	[in]	[in]	[deg]	[lb]
1/2"	1/2 - 14 NPT	3/4 - 11.5 NH	1	1.44	1.20	1.10	1.18	0.61	0.31	0.31	0.31	2.26	0.26	1.73	20	0.40
3/4"	3/4 - 14 NPT	3/4 - 11.5 NH	1 1/4	1.44	1.20	1.18	1.18	0.63	0.31	0.31	0.31	2.26	0.26	1.73	20	0.42

