

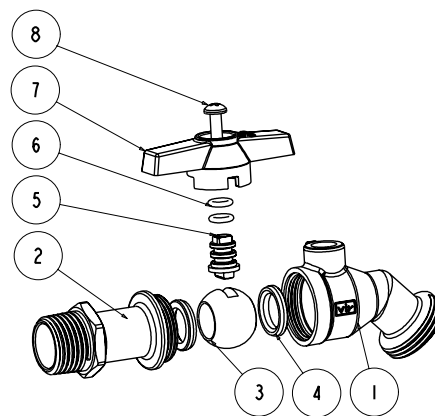
Feature

- 125# CWP
- Brass body
- MNPT x Hose end
- Threaded end (ASME B1.20.1-NPT)
- 1/2" will also accept copper tube for solder joint
- Chrome plated ball
- Virgin PTFE seats
- No Kink Spout
- Double NBR O-ring Packing



Material

	Part	Material	Specification
1	Body	Brass	ASTM B283 C37700
2	End piece	Brass	ASTM B283 C37700
3	Ball	Brass/Cr Plated	ASTM B124 C37700
4	Seat	PTFE	PTFE
5	Stem	Brass	ASTM B124 C37700
6	O-ring	NBR	NSF Approved
7	Handle	Aluminum	-
8	Handle nut	Steel / Zn Plated	ASTM A36



Dimension

	ϕ	A	A1	H	H1	L	C	Wt.
		[in]	[in]	[in]	[in]	[in]	[in]	[lb]
1/2"	1/2 - 14 NPT	3.79	2.09	1.37	0.91	2.20	0.55	0.40
3/4"	3/4 - 14 NPT	3.94	2.19	1.37	0.91	2.20	0.56	0.44

