

Lead Free Brass PEX End Ball Valve Hose Bibb with Flange

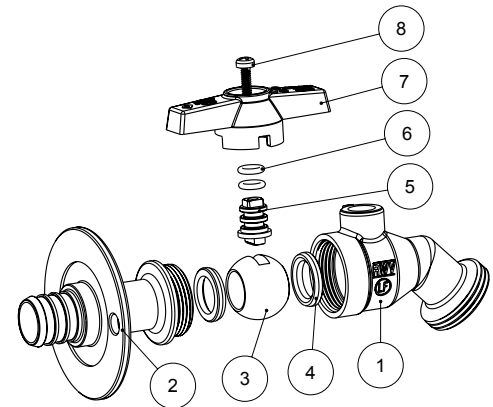
Feature

- 125# CWP
- Lead free brass body
- PEX (F1807) x Hose
- Chrome plated ball
- Virgin PTFE seats
- No Kink Spout
- Double NBR O-ring Packing
- AB1953, NSF/ANSI 61 & 372 certified



Material

	Part	Material	Specification
1	Body	Lead Free Brass	ASTM C27450
2	End piece	Lead Free DZR Brass	ASTM C27453
3	Ball	Lead Free Brass/Cr Plated	ASTM C27450
4	Seat	PTFE	PTFE
5	Stem	Lead Free Brass	ASTM C27450
6	O-ring	NBR 70SH	NSF Approved
7	Handle	Aluminum	B85
8	Handle nut	Steel / Zn Plated	ASTM A36



Dimension

	T	A	A1	A2	H	H1	L	ΦP	ΦP1	C	ΦB	ΦD	ΦD1	ΦD2	Wt.
		[in]	[in]	[in]	[in]	[in]	[in]	[in]	[in]	[in]	[in]	[in]	[in]	[in]	[lb]
1/2"	3/4 - 11.5 NH	4.15	2.44	3.35	1.37	0.91	2.20	0.50	0.35	0.24	0.71	2.26	0.26	1.73	0.53
3/4"	3/4 - 11.5 NH	4.15	2.44	3.35	1.37	0.91	2.20	0.50	0.53	0.24	0.71	2.26	0.26	1.73	0.54

