

Lead Free Brass Ball Threaded End Ball Valve Hose Bibb

Feature

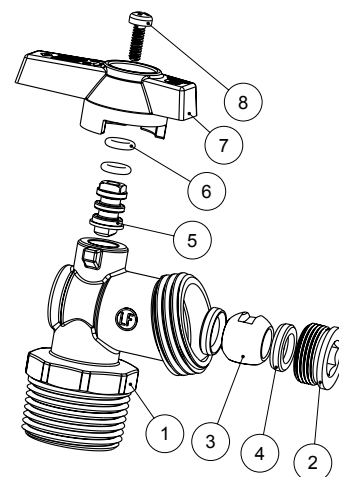
- 125# CWP
- Lead free brass body
- MNPT x Hose
- Threaded end (ASME B1.20.1-NPT)
- Chrome plated ball
- Virgin PTFE seats
- No Kink spout
- Double NBR O-ring packing
- AB1953, NSF/ANSI 61 & 372 certified

RW-514AB: Red handle
 RW-514ABBLUE: Blue handle



Material

	Part	Material	Specification
1	Body	Lead Free Brass	ASTM B927 C27450
2	End piece	Lead Free Brass	ASTM B927 C27450
3	Ball	Lead Free Brass/Cr Plated	ASTM B927 C27450
4	Seat	PTFE	PTFE
5	Stem	Lead Free Brass	ASTM B927 C27450
6	O-ring	NBR	NSF Approved
7	Handle	Aluminum	-
8	Handle nut	Steel / Zn Plated	ASTM 36



Dimension

	T	A	H	H1	L	Wt.
		[in]	[in]	[in]	[in]	[lb]
1/2"	1/2 - 14 NPT	1.32	1.20	1.34	1.89	0.30
3/4"	3/4 - 14 NPT	1.32	1.20	1.34	1.89	0.34

