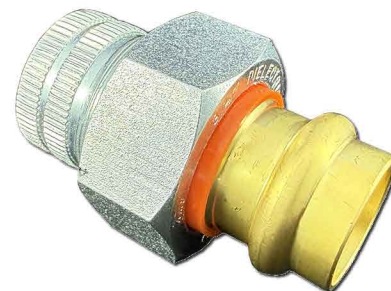


Feature

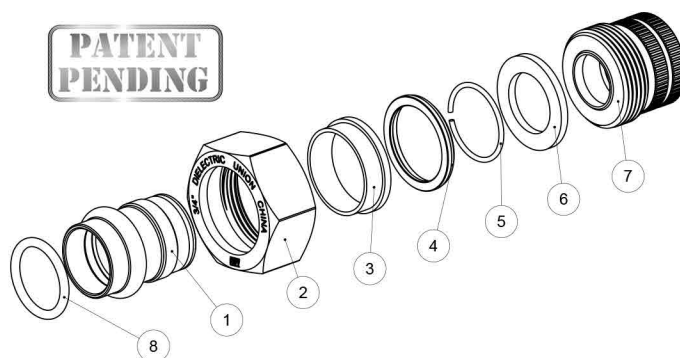
- 200# WOG
- FORGED STEEL BODY
- FNPT x EzPRESS
- ANSI/ASME B16.39
- EPDM GASKET
- AB1953. NSF/ANSI/CAN 61 & 372 CERTIFIED



Material

	Part	Material	Specification
1	Union	DZR Lead Free Brass	ASTM B927 C27453
2	Nut	Steel / Zn plated	-
3	Insert	Plastic	-
4	Ring	DZR Brass	UNS C35330
5	Retaining ring	Bronze	ASTM B103 C51900
6	Gasket	EPDM	NSF approved
7	Union body	Steel / Zn plated	-
8	O-ring	EPDM Perox	NSF approved

PATENT PENDING



Dimension, Weight

	T	φD	A	E	W	Wt.
	[in]	[in]	[in]	[in]	[in]	[lb]
½"	½ - 14 NPT	0.64	2.47	1.63	1.42	0.384
¾"	¾ - 14 NPT	0.89	2.61	1.86	1.61	0.483
1"	1 - 11.5 NPT	1.14	2.93	2.13	1.85	0.668
1¼"	1¼ - 11.5 NPT	1.39	3.08	2.58	2.24	0.961
1½"	1½ - 11.5 NPT	1.64	3.38	2.93	2.72	1.52
2"	2 - 11.5 NPT	2.14	3.74	3.79	3.50	2.40

